

SIMPSON DOOR CO.

IMPACT 10 FT. GLAZED WOOD ENTRY DOOR

INSTALLATION ANCHORAGE DETAILS

PROJECT NO. 421-0102							

SIMPSON DOOR COMPANY 400 SIMPSON AVE. MCCLEARY, WA 98557	IMPACT 10 FT. GLAZED WOOD ENTRY DOOR GENERAL AND INSTALLATION NOTES
DRAWN BY: RJA	DATE: 6/11/21
SCALE: N.T.S.	DRAWING NO: SIMP0018
REV: ---	SHEET: 1 OF 12

Robert J. Amoruso, P.E.
Florida P.E. No. 49752



PTC Product Design Group, LLC
 PO Box 320775
 Lombard, IL 60149-0775
 FBPE, CA, INC. 25595

GENERAL NOTES:

1. THIS PRODUCT IS DESIGNED TO COMPLY WITH THE CURRENT EDITION OF THE FLORIDA BUILDING CODE - BUILDING (FBC) AND RESIDENTIAL (FRC) REQUIREMENTS FOR WIND ZONE 3 & 4, MISSILE LEVEL D EXCLUDING THE HIGH VELOCITY HURRICANE ZONE (HVHZ) AT THE DESIGN PRESSURE(S) STATED HEREIN. THE PRODUCT DETAILS CONTAINED HEREIN ARE BASED UPON SIGNED AND SEALED TEST REPORT # NCTL-210-3260-3, NCTL-210-4190-11, NCTL-210-4190-12, NCTL-210-4190-13, NCTL-210-4190-14 AND NCTL-210-4190-15 AND ASSOCIATED LABORATORY STAMPED DRAWINGS.
2. ADEQUACY OF THE EXISTING STRUCTURAL CONCRETE / MASONRY AND 2X FRAMING AS A MAIN WIND FORCE RESISTING SYSTEM CAPABLE OF WITHSTANDING AND TRANSFERRING APPLIED PRODUCT LOADS TO THE STRUCTURE IS THE RESPONSIBILITY OF THE ENGINEER OR ARCHITECT OF RECORD.
3. 1X AND 2X BUCKS (WHEN USED) SHALL BE DESIGNED AND ANCHORED TO PROPERLY TRANSFER ALL LOADS TO THE STRUCTURE. BUCK DESIGN AND INSTALLATION IS THE RESPONSIBILITY OF THE ENGINEER OR ARCHITECT OF RECORD.
4. IN AREAS WHERE WIND-BORNE DEBRIS PROTECTION REQUIREMENTS EXIST, USE OF AN APPROVED IMPACT PROTECTIVE SYSTEM IS NOT REQUIRED.
5. DOOR FRAME OR COMPONENTS STRUCTURAL CORE MATERIAL: LAMINATED VENEER LUMBER (LVL) AND/OR FIR OR PINE FINGERJOINTED AND EDGE GLUED CORE MATERIAL. USE OF ALTERNATE VENEERS ON THE SAME STRUCTURAL CORE MATERIAL IS ACCEPTABLE FOR THIS PRODUCT. LVL MAY BE EITHER HORIZONTAL OR VERTICAL ORIENTATION.
6. GLASS MEETS THE REQUIREMENTS OF ASTM E1300-12AE1. SEE SHEET 9 FOR GLAZING DETAILS.

7. DESIGNATION "X" STANDS FOR THE FOLLOWING:
X: OPERABLE PANEL
8. PERIMETER AND JOINT SEALANT BY OTHERS TO BE DETAILED IN ACCORDANCE WITH THE FBC, RESIDENTIAL AND BUILDING VOLUMES AND WITH FMA/AAMA/WDMA PROTOCOLS. PERIMETER AND JOINT SEALANT IS SHOWN FOR ILLUSTRATIVE PURPOSES ONLY AND IS NOT PART OF THIS PRODUCT APPROVAL DOCUMENT.

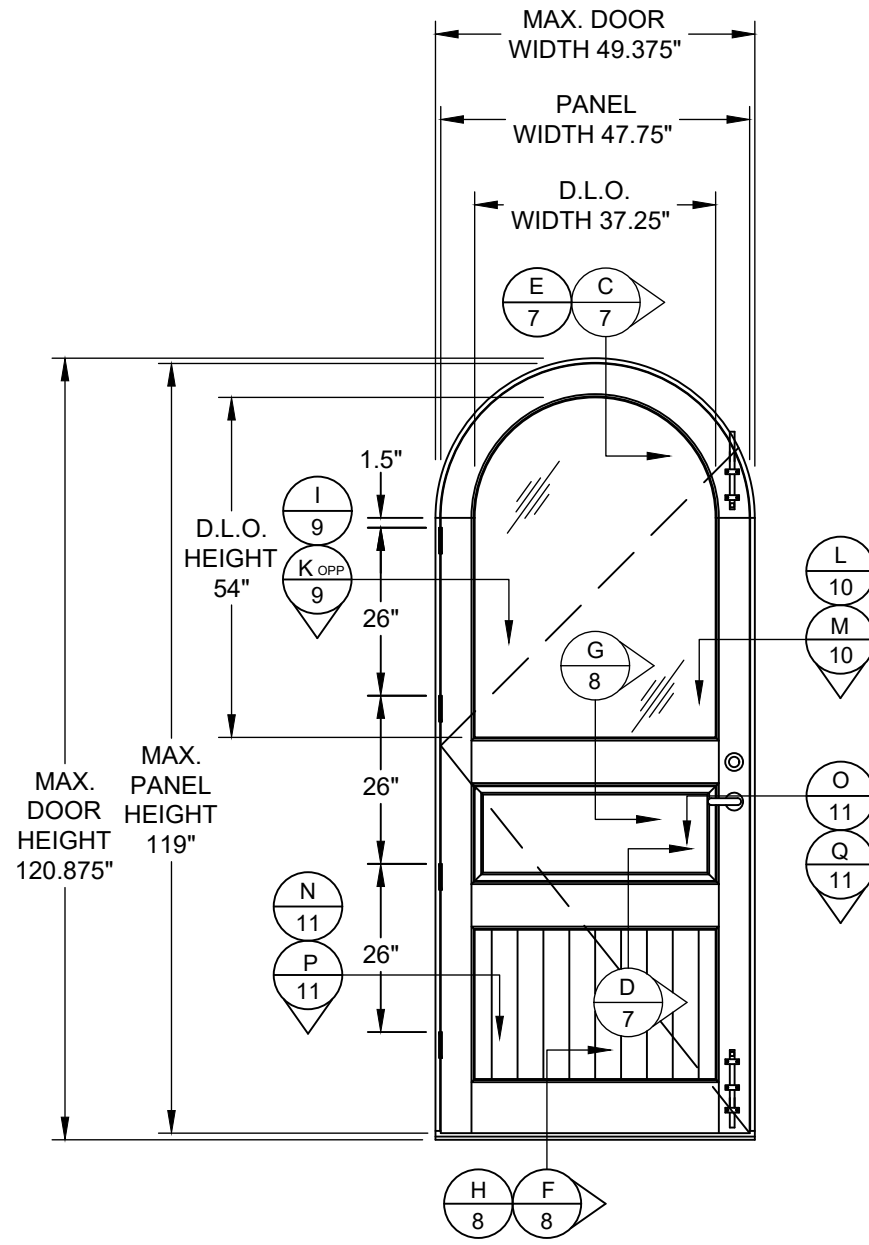
INSTALLATION NOTES:

1. ONE (1) INSTALLATION ANCHOR IS REQUIRED AT EACH ANCHOR LOCATION SHOWN.
2. THE NUMBER OF INSTALLATION ANCHORS DEPICTED ARE THE MINIMUM NUMBER OF ANCHORS TO BE USED FOR PRODUCT INSTALLATION. ANCHORS ARE TO MATCH TYPE, SIZE, AND EMBEDMENT OF THOSE SHOWN HEREIN FOR RESPECTIVE SUBSTRATE.
3. SHIM AS REQUIRED AT EACH INSTALLATION ANCHOR WITH LOAD BEARING SHIM(S). MAXIMUM ALLOWABLE SHIM SIZE IS 1/4 INCH. SHIM WHERE SPACE OF 1/16 INCH OR GREATER OCCURS. SHIM(S) SHALL BE CONSTRUCTED OF HIGH DENSITY PLASTIC OR BETTER.
4. FOR INSTALLATION INTO WOOD FRAMING, USE #10 WOOD SCREWS OF SUFFICIENT LENGTH TO ACHIEVE 1 1/2 INCH MINIMUM EMBEDMENT. MINIMUM EDGE DISTANCE IS 3/4 INCHES.
5. FOR INSTALLATION THROUGH 1X BUCK TO CONCRETE / MASONRY, OR DIRECTLY INTO CONCRETE / MASONRY, USE 1/4 INCH ITW TAPCONS (ADVANCED THREADFORM) OF SUFFICIENT LENGTH TO ACHIEVE 1 3/4 INCH MINIMUM EMBEDMENT INTO CONCRETE AND 1 INCH MINIMUM EMBEDMENT INTO MASONRY. MINIMUM EDGE DISTANCE IS 2-1/2 INCHES FOR CONCRETE AND MASONRY.
6. MINIMUM EMBEDMENT AND EDGE DISTANCE EXCLUDE WALL FINISHES (INCLUDING BUT NOT LIMITED TO STUCCO, FOAM, BRICK VENEER AND SIDING).
7. FOR CONCRETE BLOCK, DO NOT INSTALL INSTALLATION ANCHORS INTO MORTAR JOINTS. EDGE DISTANCE IS MEASURED FROM FREE EDGE OF BLOCK OR EDGE OF MORTAR JOINT INTO FACE SHELL OF BLOCK.
8. INSTALLATION ANCHOR CAPACITIES FOR PRODUCTS HEREIN ARE BASED ON SUBSTRATE MATERIALS WITH THE FOLLOWING PROPERTIES:
 - 8.1 WOOD - MINIMUM SPECIFIC GRAVITY OF 0.42 (NON-HVHZ).
 - 8.2 CONCRETE - MINIMUM COMPRESSIVE STRENGTH OF 2500 PSI.
 - 8.3 MASONRY - STRENGTH CONFORMANCE TO ASTM C-90 MEDIUM WEIGHT WITH COMPRESSIVE STRENGTH OF 1900 psi (DENSITY > 117 PCF).

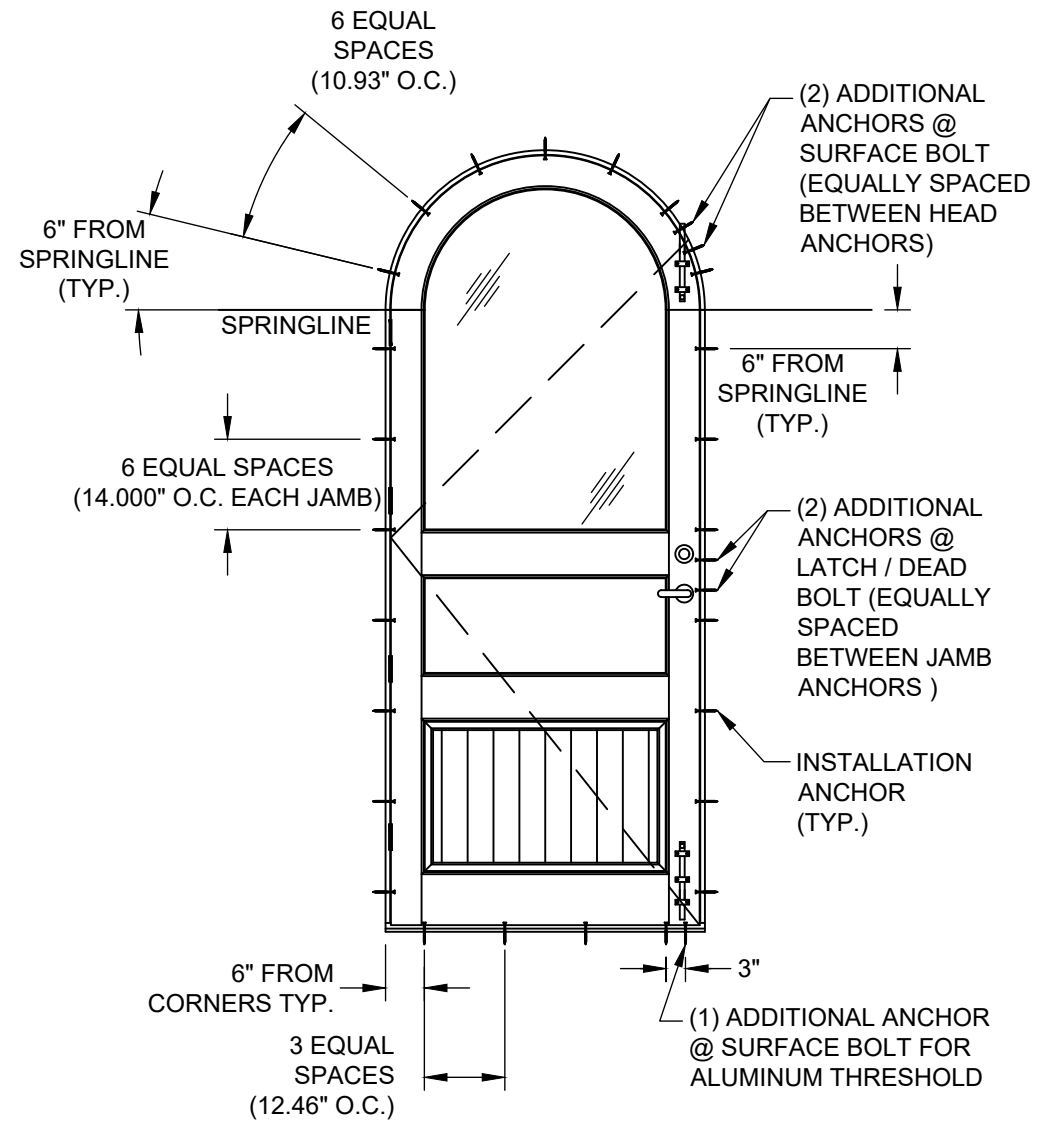
TABLE OF CONTENTS	
SHEET	SHEET DESCRIPTION
1	GENERAL AND INSTALLATION NOTES
2	ELEVATION AND ANCHOR LAYOUT
3	ELEVATION AND ANCHOR LAYOUT
4	ELEVATION AND ANCHOR LAYOUT
5	ELEVATION AND ANCHOR LAYOUT
6	VERTICAL SECTIONS
7	VERTICAL SECTIONS
8	VERTICAL SECTIONS
9	HORIZONTAL SECTIONS & GLAZING DETAILS
10	HORIZONTAL SECTIONS & PANEL DETAILS
11	HORIZONTAL SECTIONS
12	QUALIFIED PANELS

DESIGN PRESSURE RATING (PSF)		IMPACT RATING
WHERE WATER INFILTRATION REQUIREMENT IS NEEDED	WHERE WATER INFILTRATION REQUIREMENT IS NOT NEEDED	MISSILE LEVEL D WIND ZONE 3 & 4
±50.0	±50.0	

**Wood Thoro-Hung Ovolo Arch High Impact
Glazed/Opaque Single Door (Glazing Detail 1)**
(NTCL-210-4190-11 & NCTL-210-4190-14)



ELEVATION 1
INTERIOR VIEW



ANCHOR LAYOUT 1
INTERIOR VIEW

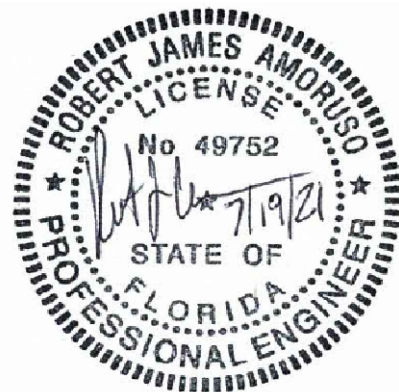
(NOTE: NO INSTALLATION ANCHORS
TO BE LOCATED CLOSER THAN 3" O.C.)

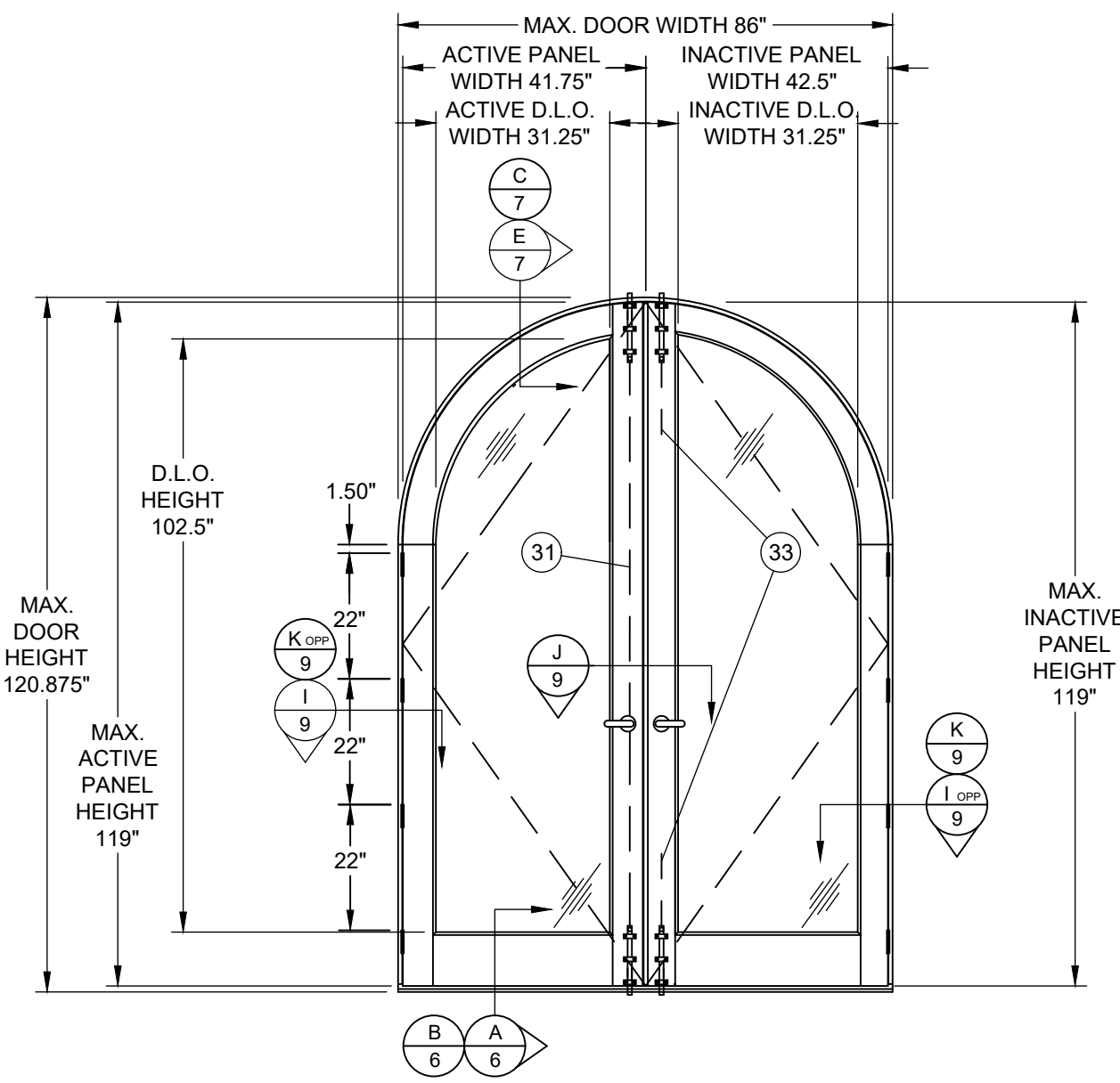
PROJECT NO. 421-0102

REV	DESCRIPTION	DATE	BY

SIMPSON DOOR COMPANY 400 SIMPSON AVE. MCCLEARY, WA 98557		DATE:	6/11/21
TITLE: IMPACT 10 FT. GLAZED WOOD ENTRY DOOR ELEVATION AND ANCHOR LAYOUT		DRAWING NO.:	SIMP0018
PREPARED BY:	RJA	SCALE:	N.T.S.
DATE:	6/11/21	REV:	2 OF 12
PHONE:	321.690.1788		
FAX:	321.690.1789		
EMAIL:	info@pdc-corp.com		

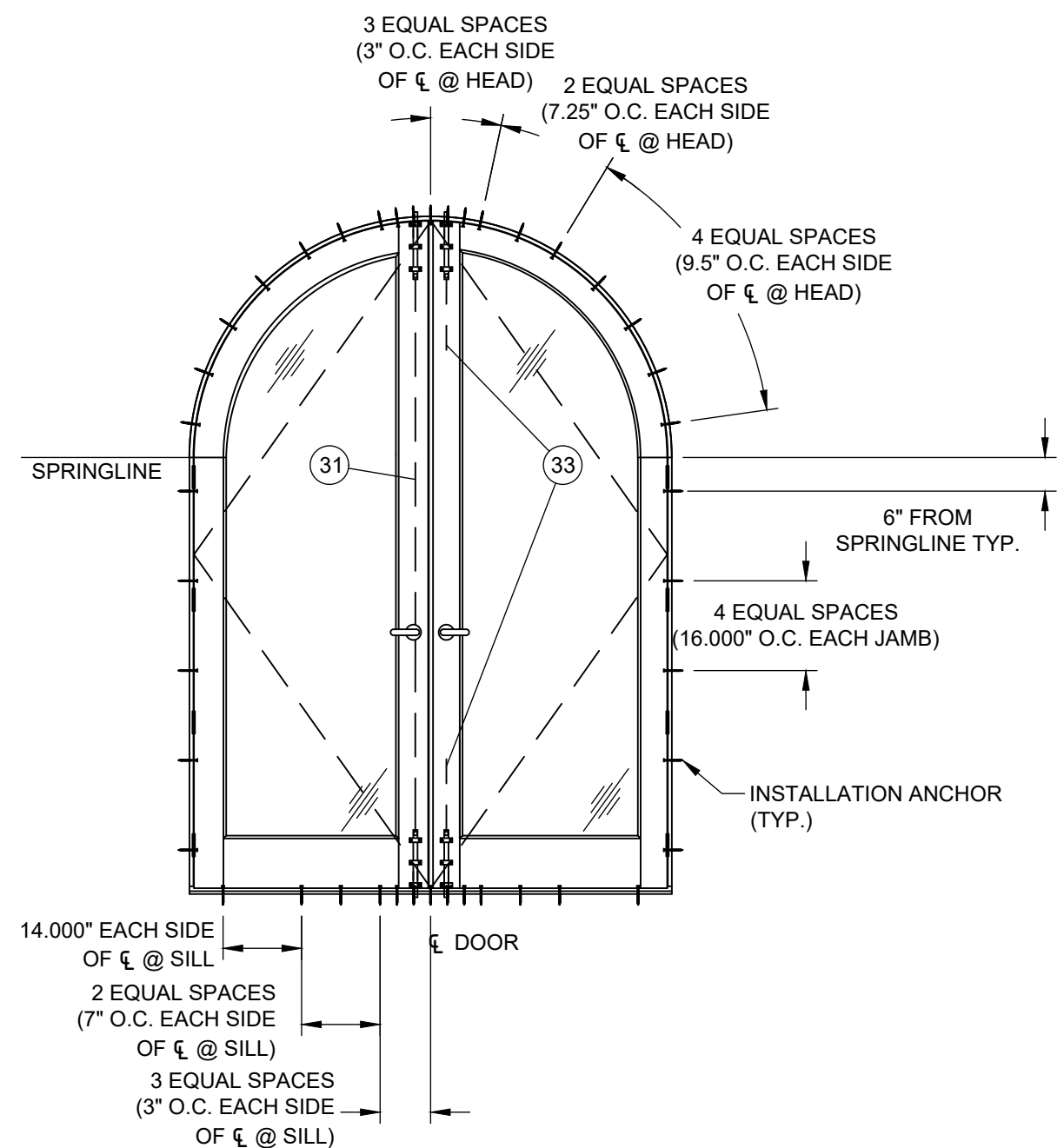
Robert J. Amoruso, P.E.
Florida P.E. No. 49752





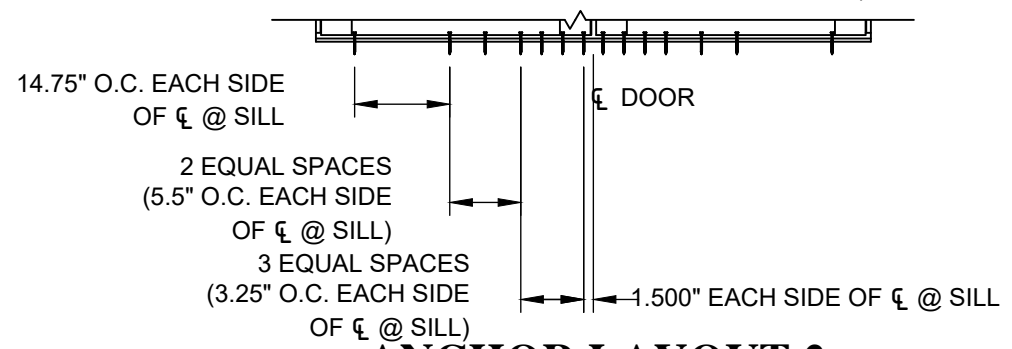
ELEVATION 2
INTERIOR VIEW

**Wood Thoro-Hung Shaker/Westar High Impact
Round-Top Opaque/Glazed Double Door
(Glazing Detail 1)**
(NCTL-210-4190-11 & NCTL-210-4190-13)



ANCHOR LAYOUT 2
INTERIOR VIEW

(NOTE: NO INSTALLATION ANCHORS TO BE LOCATED CLOSER THAN 3" O.C.)



ANCHOR LAYOUT 2
FOR ALUMINUM THRESHOLD

PROJECT NO. 421-0102

REV	DESCRIPTION	DATE	BY

SIMPSON DOOR COMPANY
400 SIMPSON AVE.
MCCLEARY, WA 98557

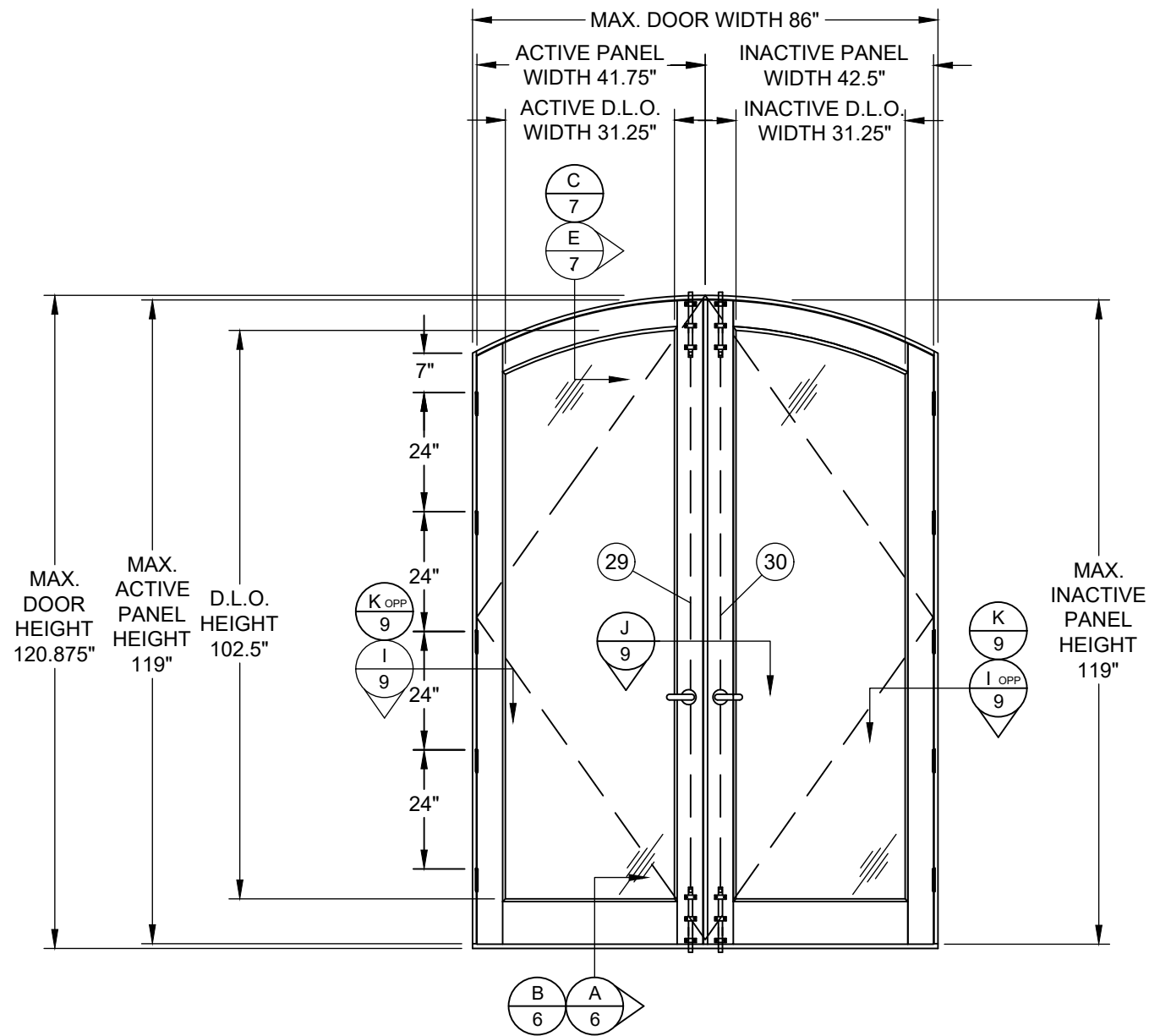
TITLE: IMPACT 10 FT. GLAZED WOOD ENTRY DOOR ELEVATION AND ANCHOR LAYOUT

PREPARED BY: RJA
SCALE: N.T.S.
REV: ---

DATE: 6/11/21
DRAWING NO: SIMP0018
SHEET: 3 OF 12

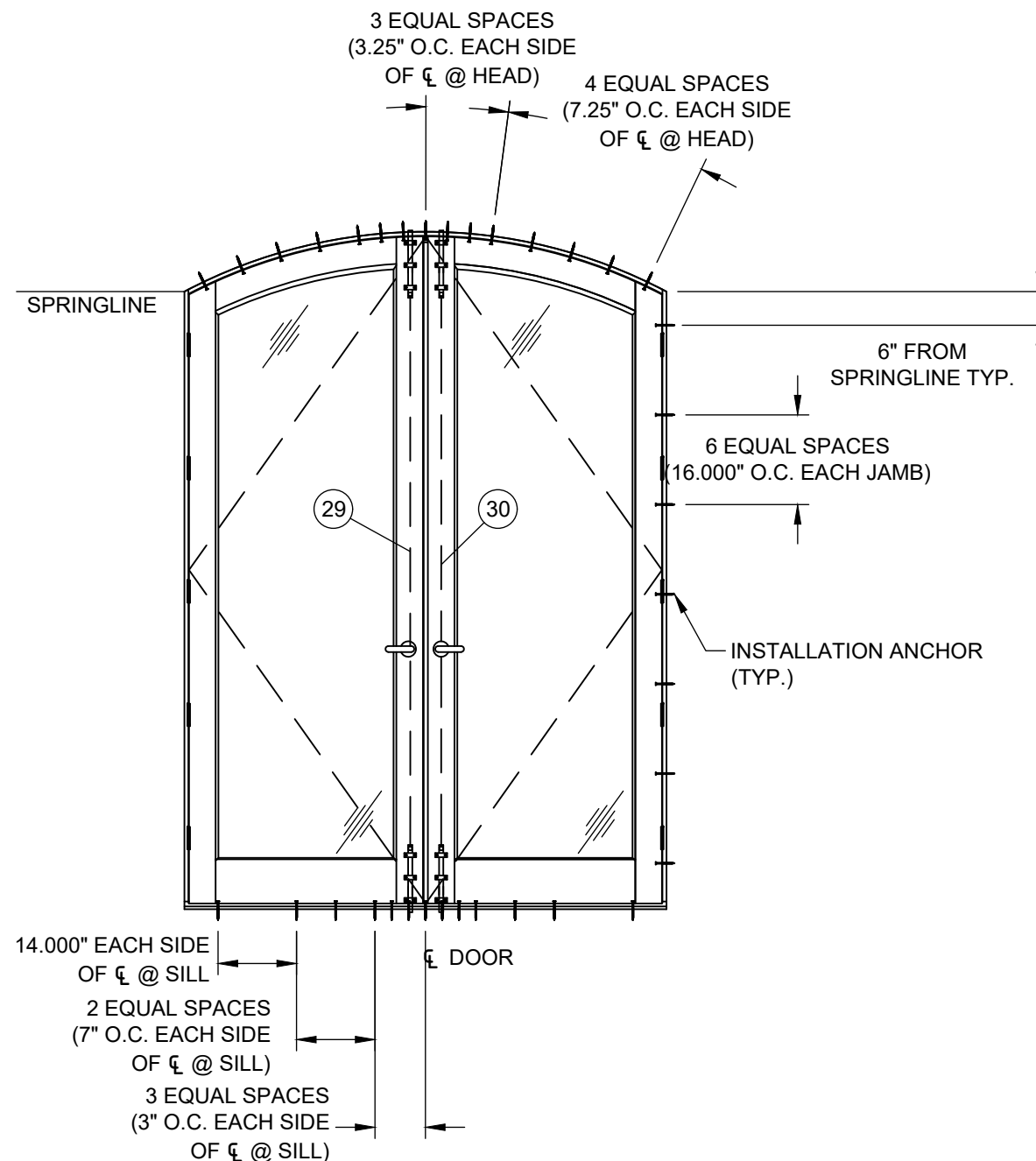
Phone: 321.690.1788
Fax: 321.690.1789
PO Box 320775
Lynchburg, VA 24075
FBI# GA. NO. 25595





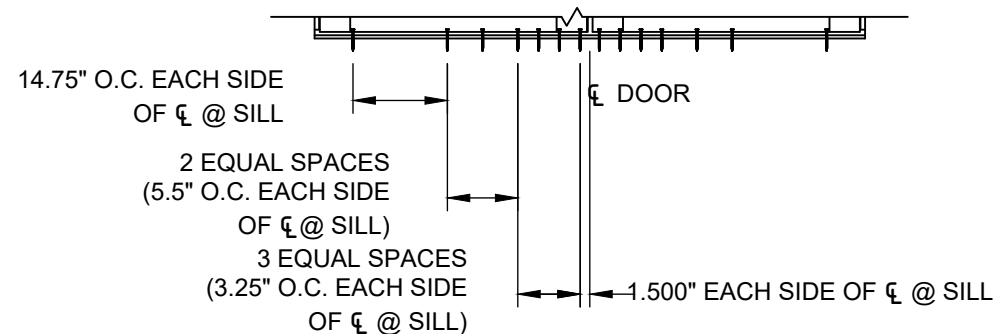
ELEVATION 3
INTERIOR VIEW

**Wood Thoro-Hung Westar Arch-Top High Impact
Glazed Double Door
(Glazing Detail 1)**
(NTCL-210-3260-3, NCTL-210-4190-11 & NCTL-210-4190-12)



ANCHOR LAYOUT 3
INTERIOR VIEW

(NOTE: NO INSTALLATION ANCHORS TO BE LOCATED CLOSER THAN 3" O.C.)

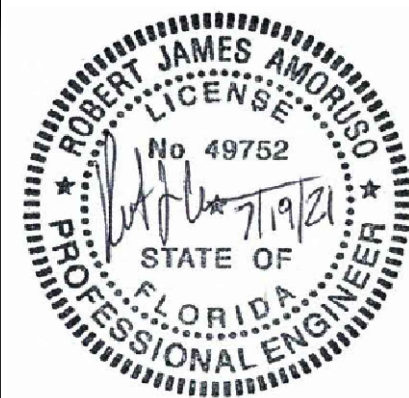


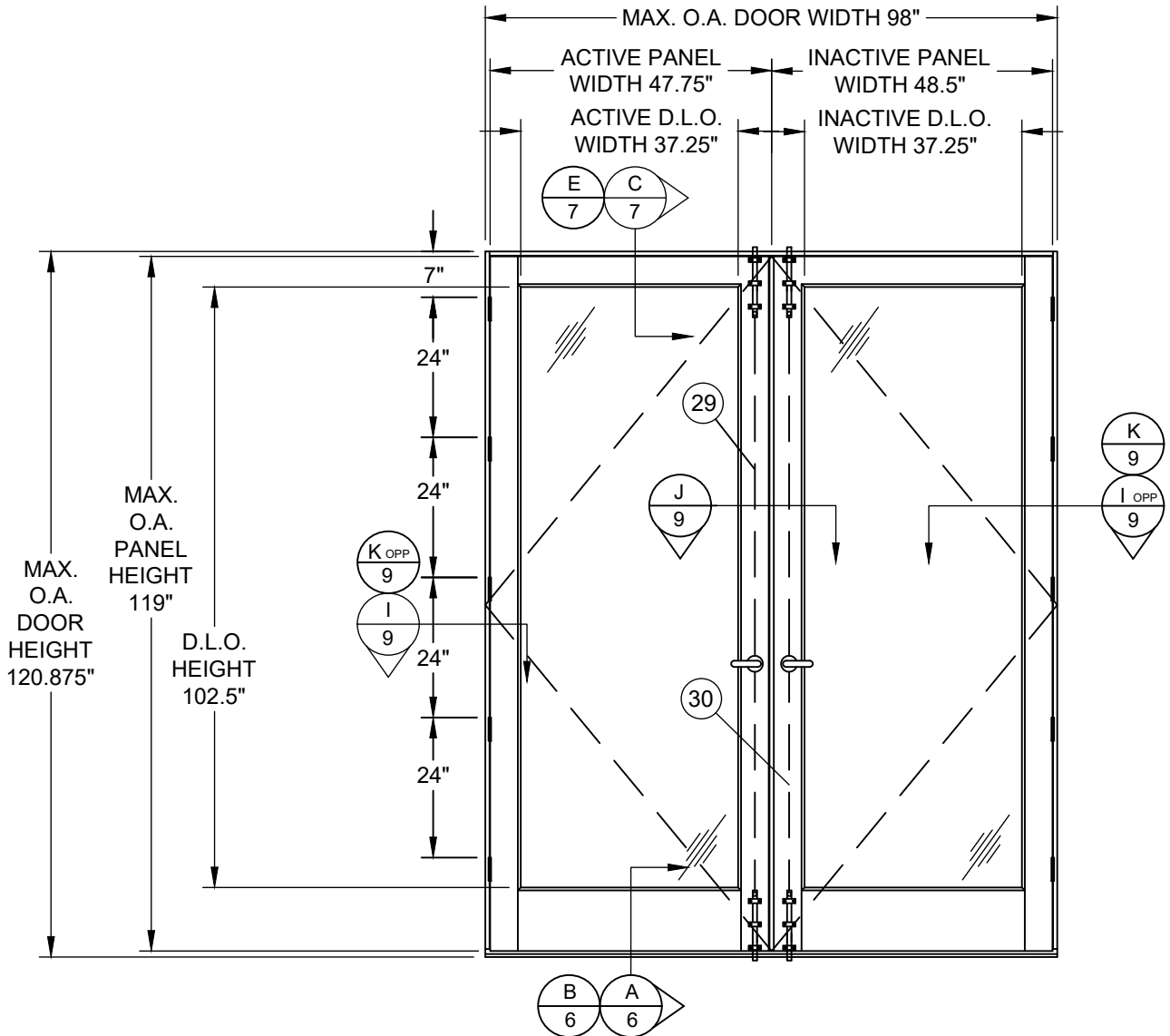
ANCHOR LAYOUT 3
FOR ALUMINUM THRESHOLD

PROJECT NO. 421-0102					

SIMPSON DOOR COMPANY 400 SIMPSON AVE. MCCLEARY, WA 98557		DATE:	6/11/21
TITLE: IMPACT 10 FT. GLAZED WOOD ENTRY DOOR ELEVATION AND ANCHOR LAYOUT		DRAWING NO.:	SIMP0018
PREPARED BY:	RJA	SCALE:	N.T.S.
DRAWN BY:	RJA	REV:	---
		SHEET:	4 OF 12

Robert J. Amoruso, P.E.
Florida P.E. No. 49752

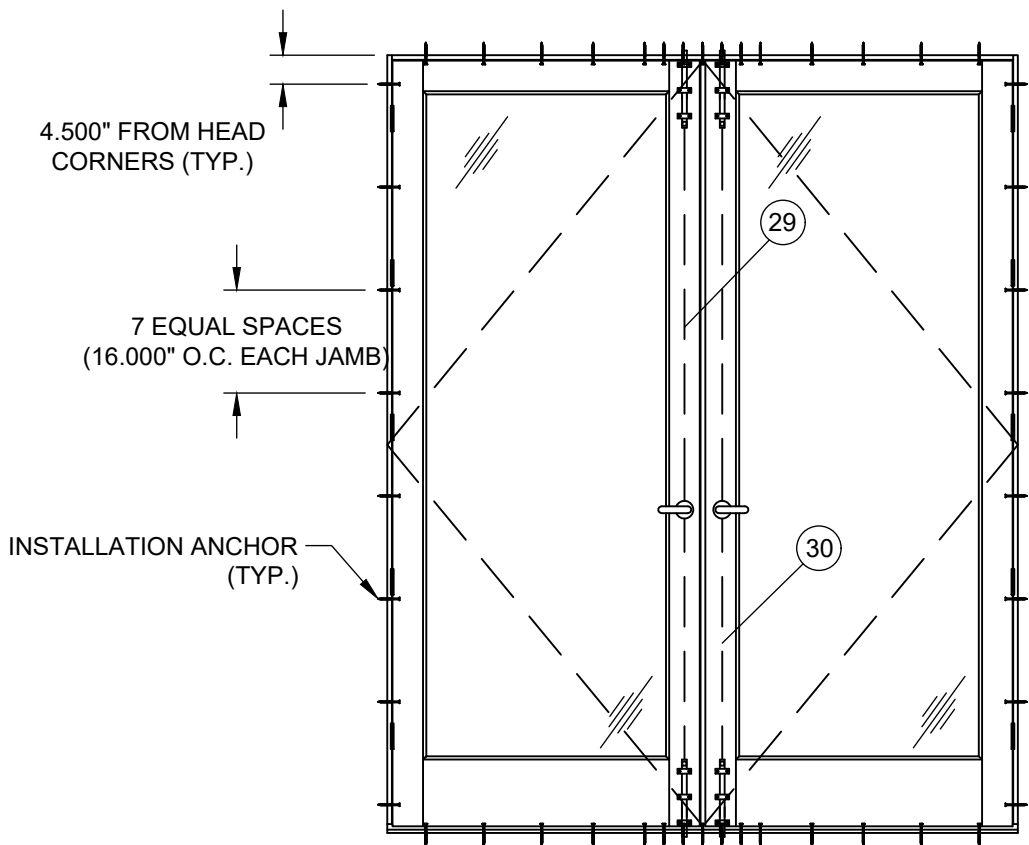




ELEVATION 4
INTERIOR

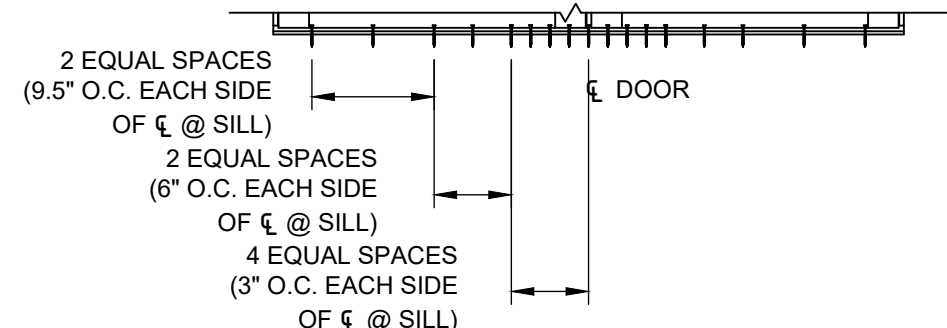
**Wood Thoro-Hung Westar High Impact Glazed
Double Outswing Door (Glazing Detail 1)**
(NCTL-210-4190-11 & NCTL-210-4190-12)

**Wood Thoro-Hung Westar Glazed Double
Outswing Door (Glazing Detail 2)**
(NCTL-210-4190-11 & NCTL-210-4190-15)



ANCHOR LAYOUT 4
INTERIOR

(NOTE: NO INSTALLATION ANCHORS TO BE LOCATED CLOSER THAN 3" O.C.)



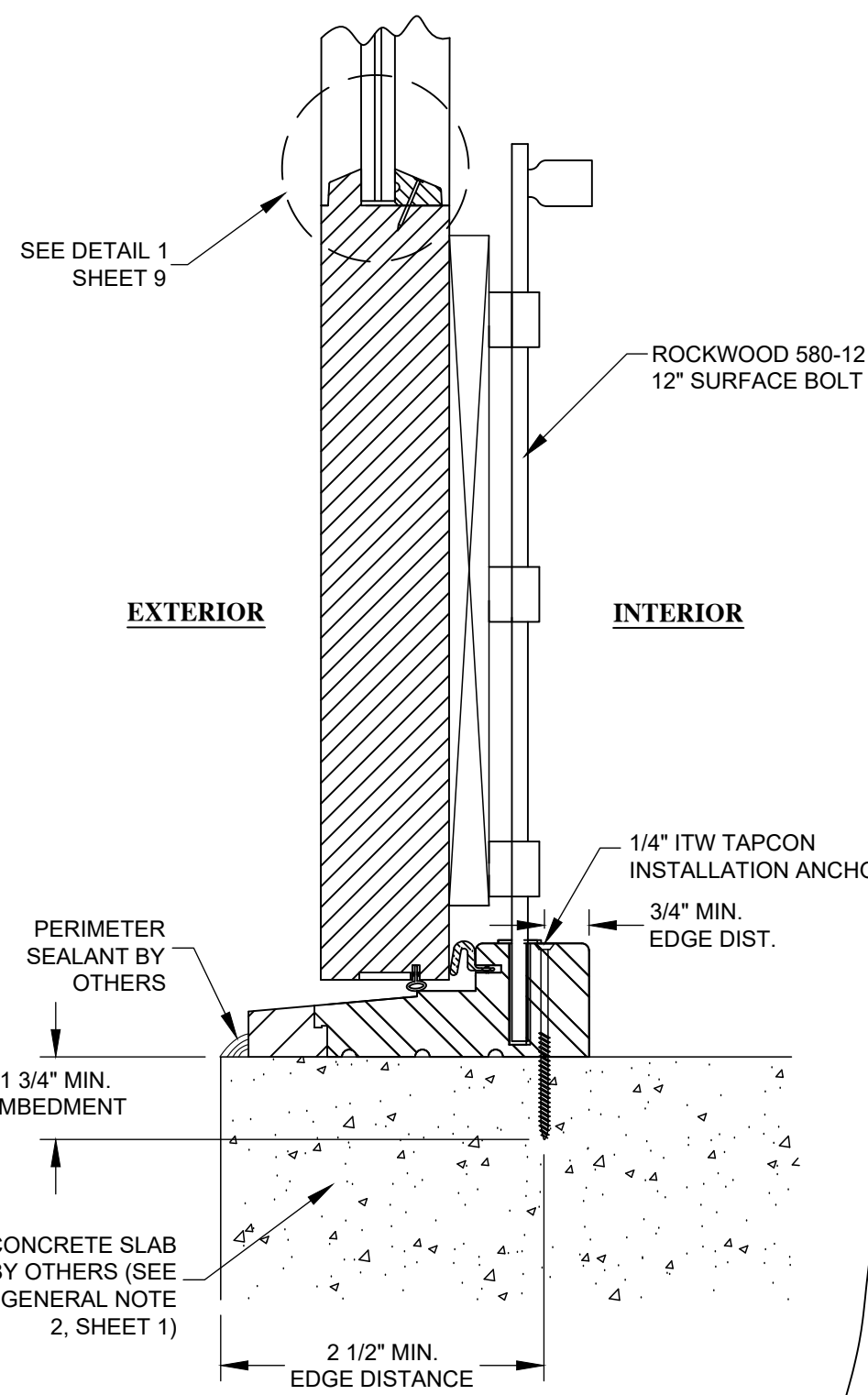
ANCHOR LAYOUT 4
FOR ALUMINUM THRESHOLD

PROJECT NO. 421-0102					

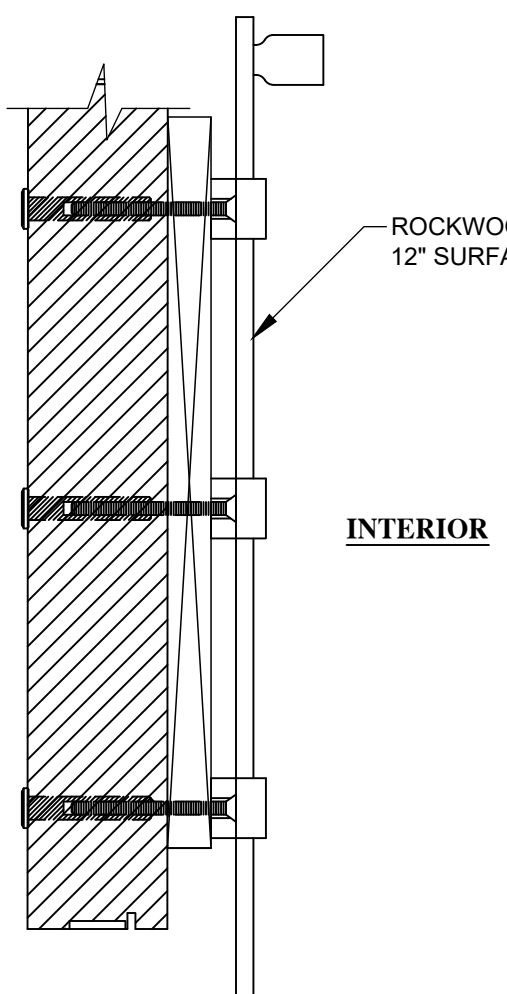
SIMPSON DOOR COMPANY 400 SIMPSON AVE. MCCLEARY, WA 98557		DATE: 6/11/21	DRAWING NO: SIMP0018	REVISION: 5 OF 12
TITLE: IMPACT 10 FT. GLAZED WOOD ENTRY DOOR ELEVATION AND ANCHOR LAYOUT		DRAWN BY: RJA	SCALE: N.T.S.	REV: ---
PREPARED BY: PTC Product Design Group, LLC PO Box 320775 Lynchburg, VA 24075 FBPE GA. NO. 25595		PHONE: 321.690.1788	FAX: 321.690.1789	EMAIL: info@ptc-corp.com

Robert J. Amoruso, P.E.
Florida P.E. No. 49752

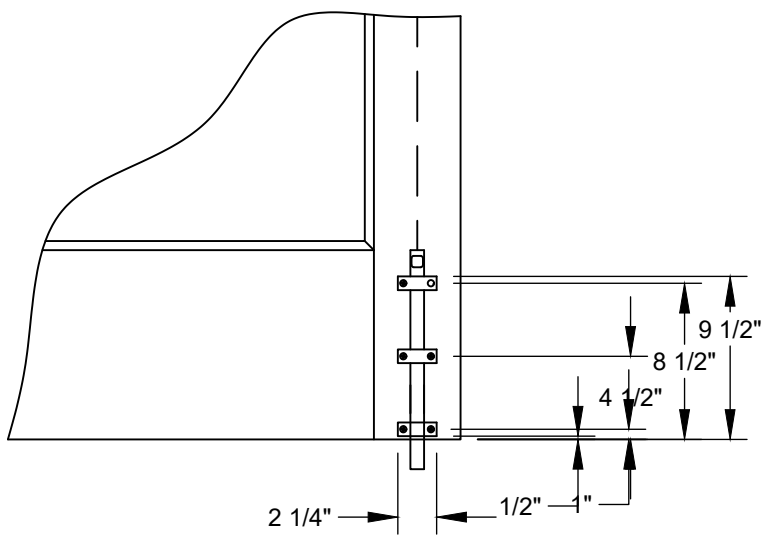




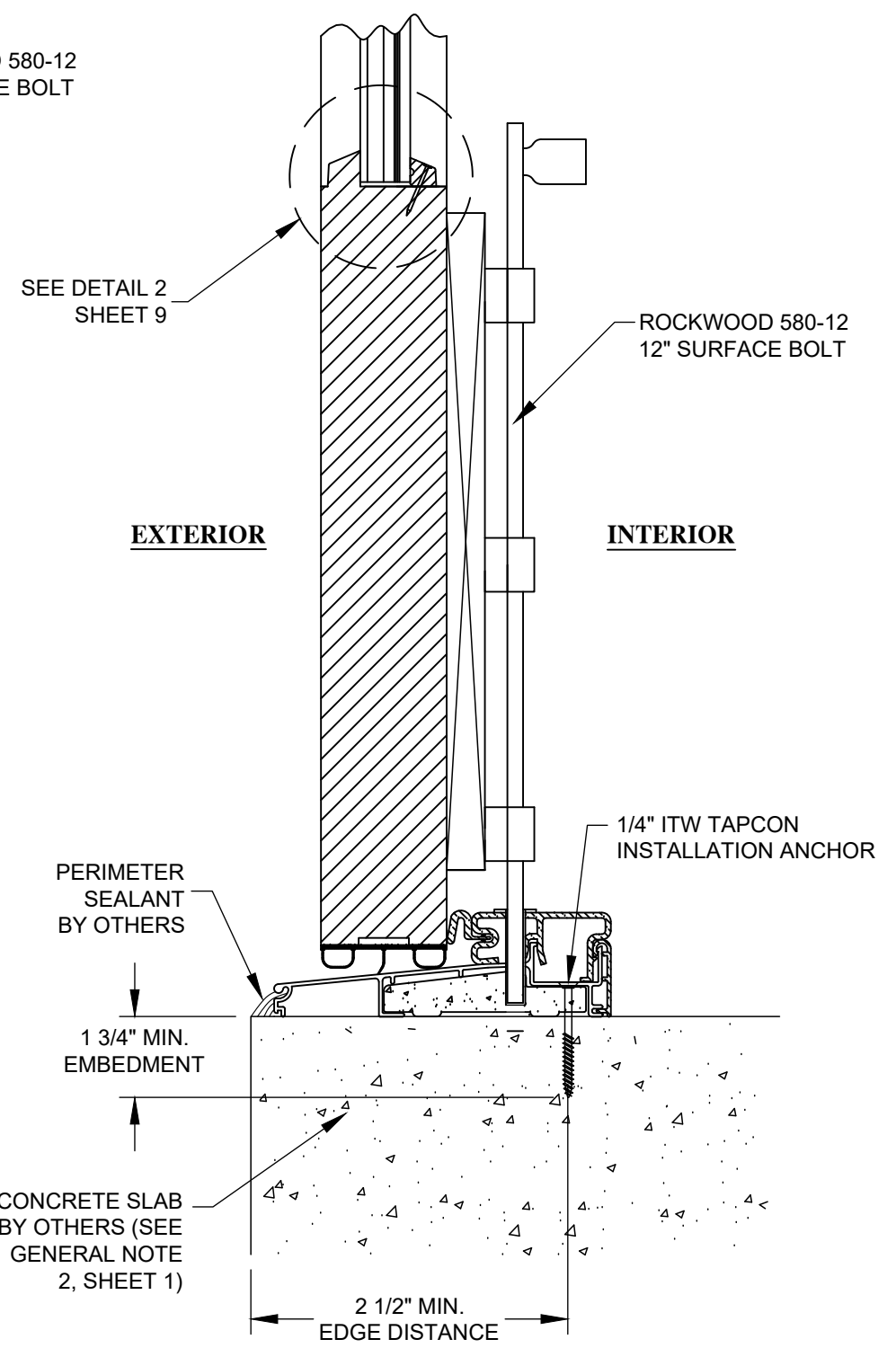
A VERTICAL SECTION
 6 CONCRETE SUBSTRATE
 EURO DESIGN



TYP. DETAIL
 SURFACE BOLT CONNECTION @ STILE
 (SILL CONNECTION SHOWN;
 HEAD CONNECTION SIMILAR)



SURFACE BOLT DETAIL
 (TOP IS OPPOSITE)



B VERTICAL SECTION
 6 CONCRETE SUBSTRATE
 STANDARD DESIGN

PROJECT NO. 421-0102

REV	DESCRIPTION	DATE	BY

SIMPSON DOOR COMPANY
 400 SIMPSON AVE.
 MCCLEARY, WA 98557

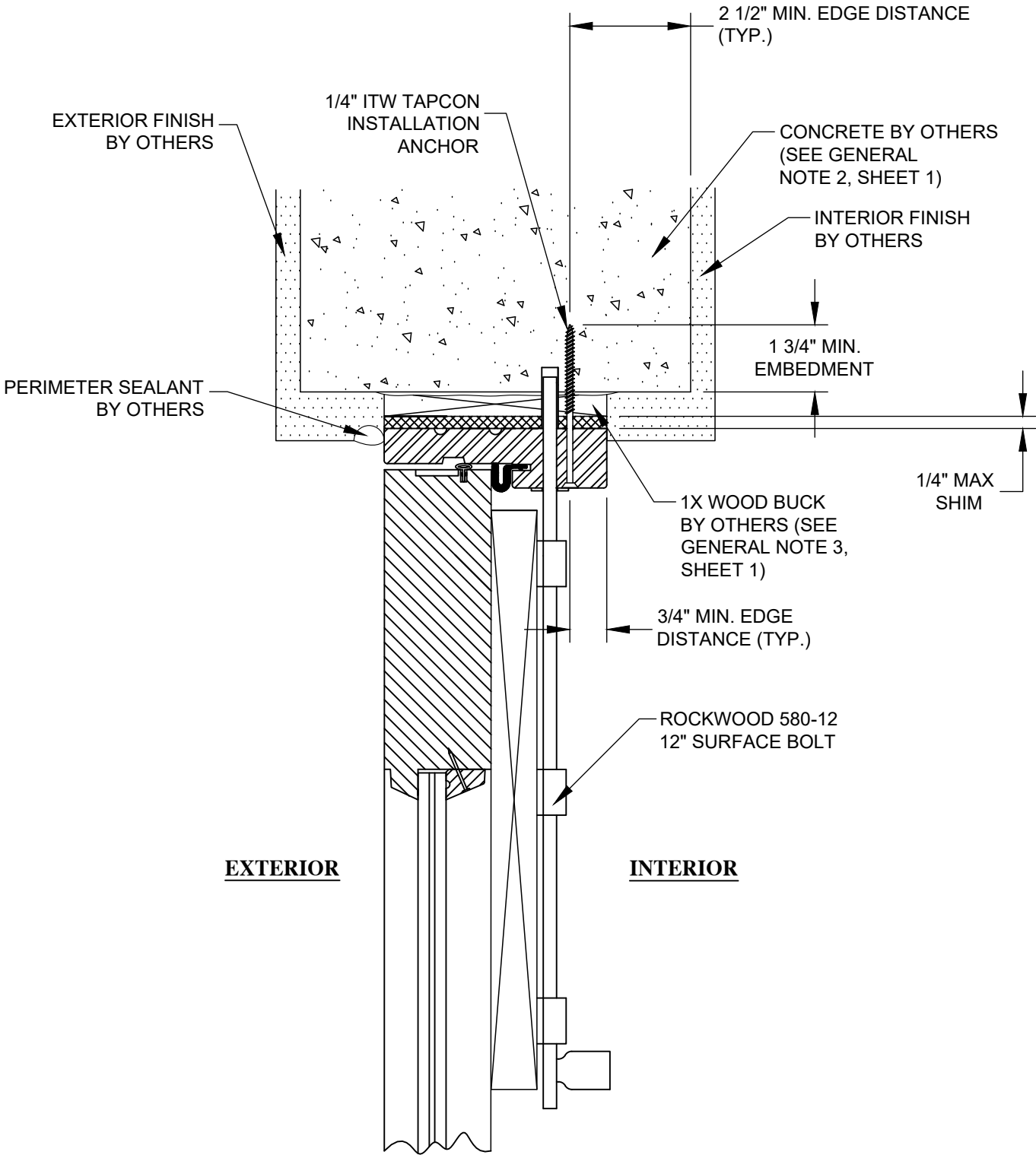
TITLE: IMPACT 10 FT. GLAZED WOOD ENTRY DOOR
 VERTICAL SECTIONS

PREPARED BY: RJA
 SCALE: N.T.S.
 DATE: 6/11/21
 DRAWING NO: SIMP0018
 SHEET: 6 OF 12

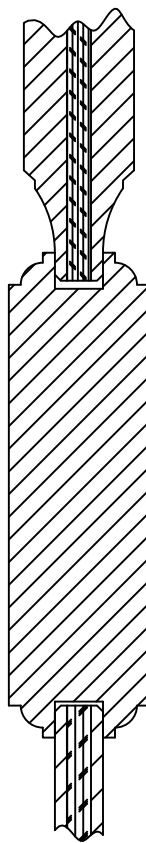
PIE
 PTC Product Design Group, LLC
 PO Box 320775
 Lombard, IL 60137-0775
 Phone: 321.690.1788
 Fax: 321.690.1789
 Email: info@ptc-corp.com
 FBPE GA. NO. 25595

Robert J. Amoruso, P.E.
 Florida P.E. No. 49752

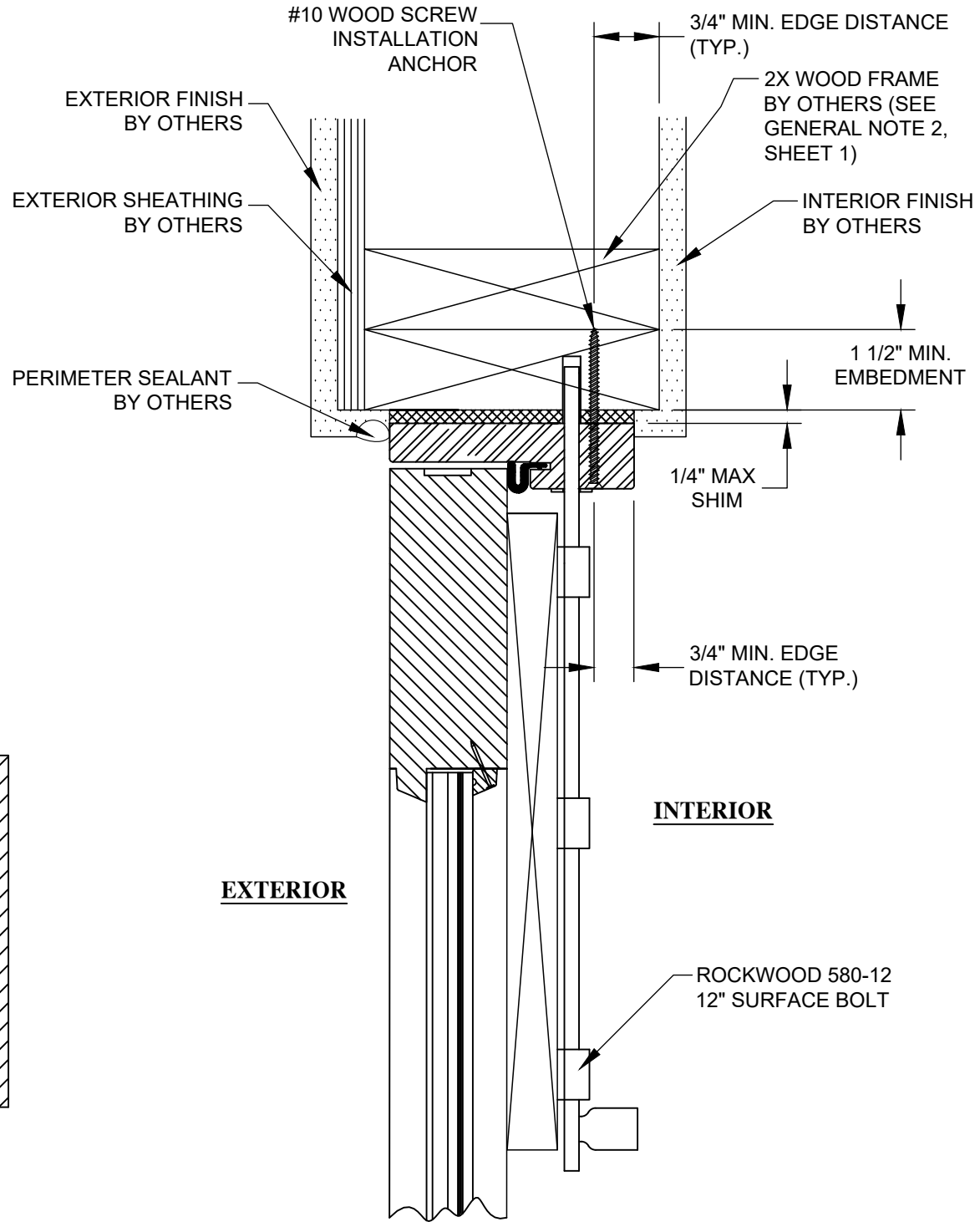




C
7 **VERTICAL SECTION**
 CONCRETE SUBSTRATE
 EURO DESIGN
 (NOTE: SURFACE BOLT USED ON SINGLE ROUND
 TOP DOOR HAS ONLY TWO (2) FASTENERS.)



D
7 **VERTICAL SECTION**
 INTERMEDIATE RAIL GLAZING
 AND PANEL INSERTS



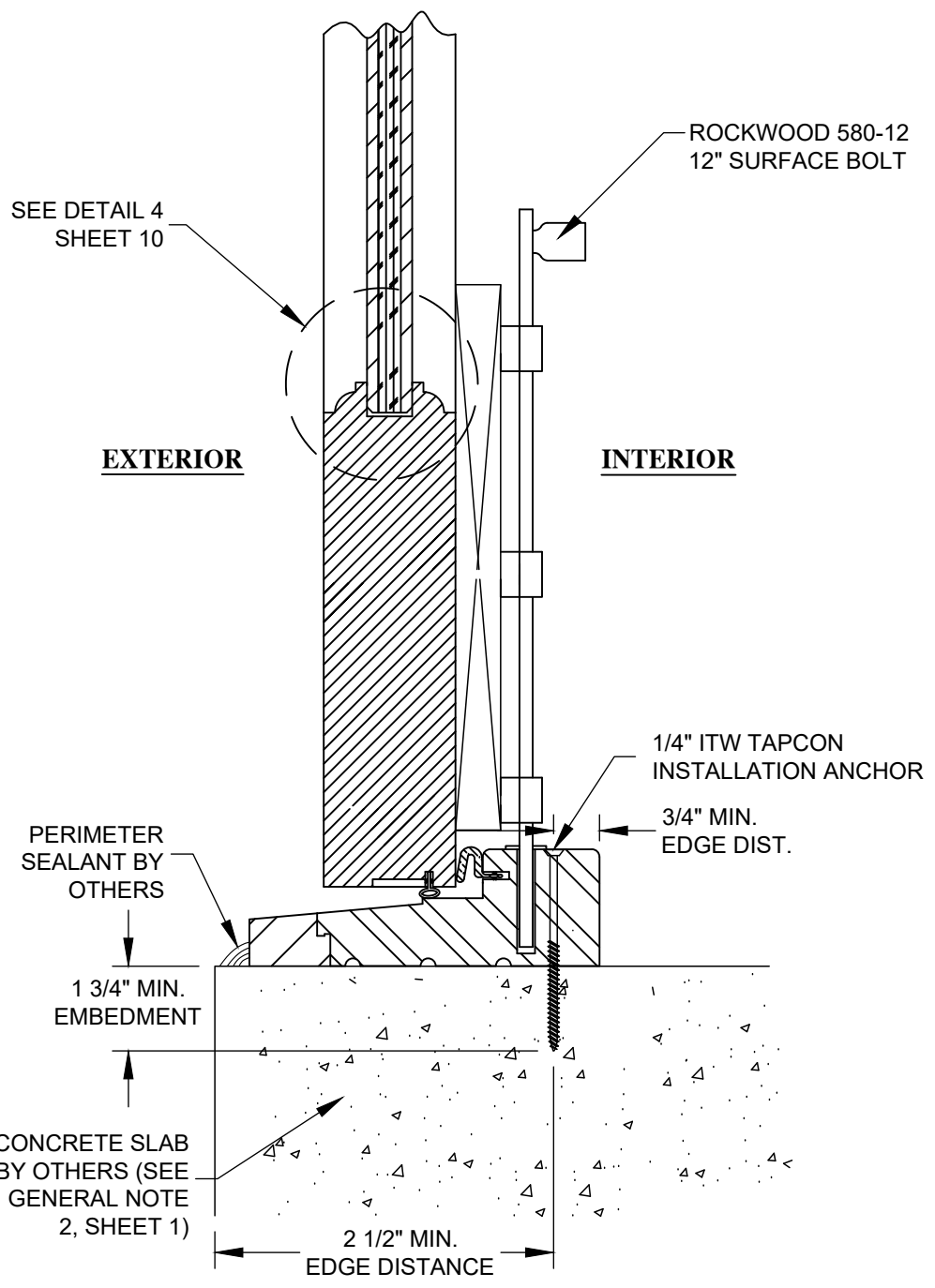
E
7 **VERTICAL SECTION**
 WOOD FRAME SUBSTRATE
 STANDARD DESIGN
 (NOTE: SURFACE BOLT USED ON SINGLE ROUND
 TOP DOOR HAS ONLY TWO (2) FASTENERS.)

Robert J. Amoruso, P.E.
 Florida P.E. No. 49752

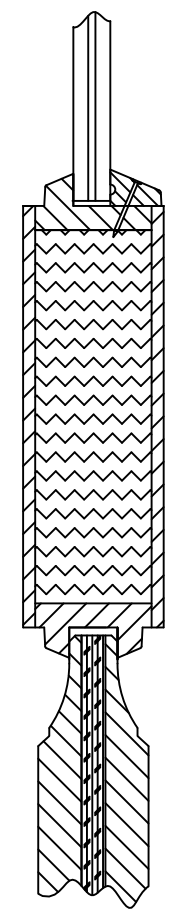
PROJECT NO. 421-0102					

SIMPSON DOOR COMPANY 400 SIMPSON AVE. MCCLEARY, WA 98557		DATE: 6/11/21	DRAWING NO: SIMP0018	REV: 8 OF 12
TITLE: IMPACT 10 FT. GLAZED WOOD ENTRY DOOR VERTICAL SECTIONS		DRAWN BY: RJA	SCALE: N.T.S.	REV: ---
PREPARED BY: PC		PHONE: 321.690.1788	PO BOX 320775	LEWISBURG, TN 37075
		FAX: 321.690.1789	EMAIL: info@gtc-corp.com	

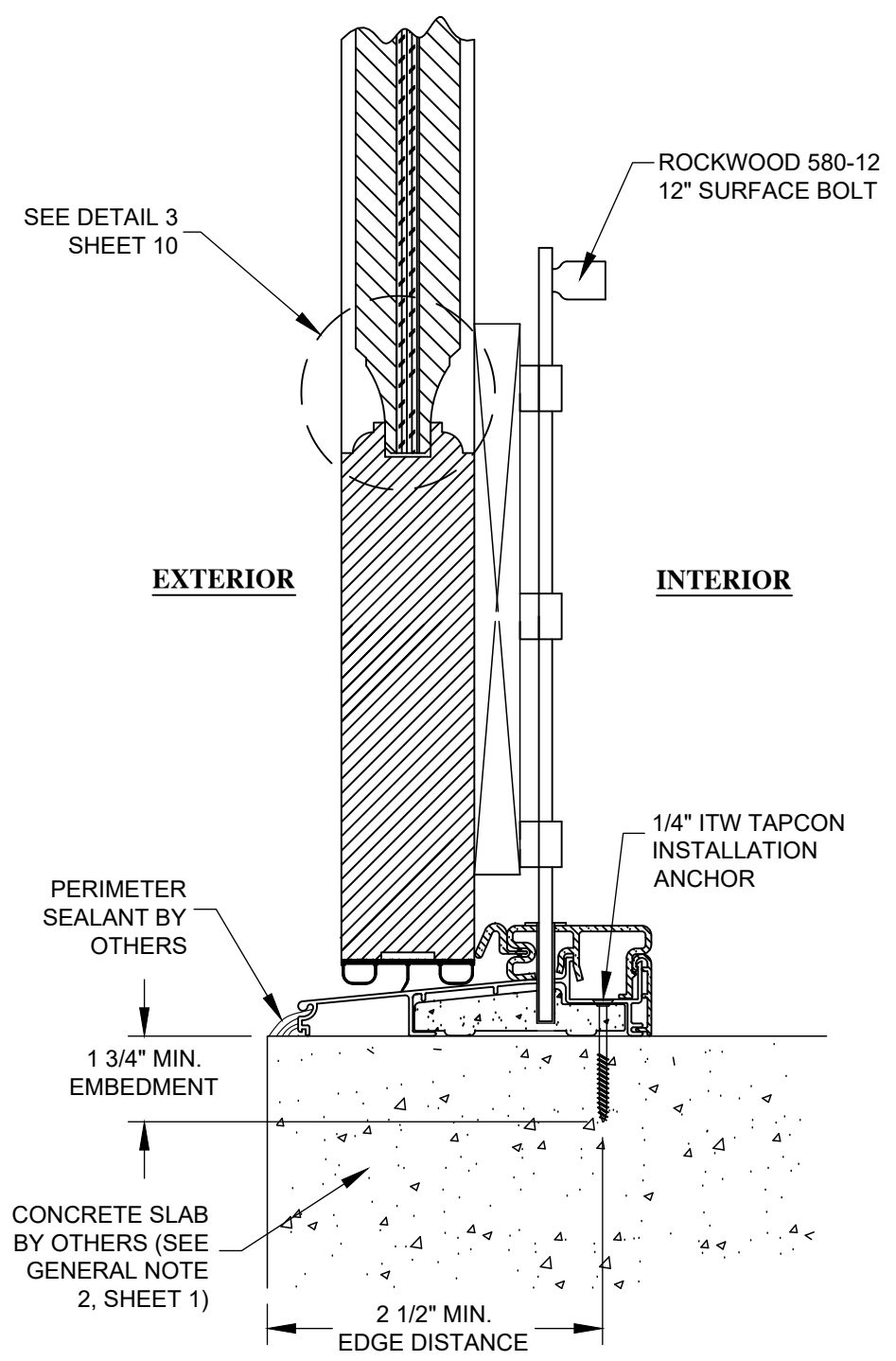
Robert J. Amoruso, P.E.
Florida P.E. No. 49752



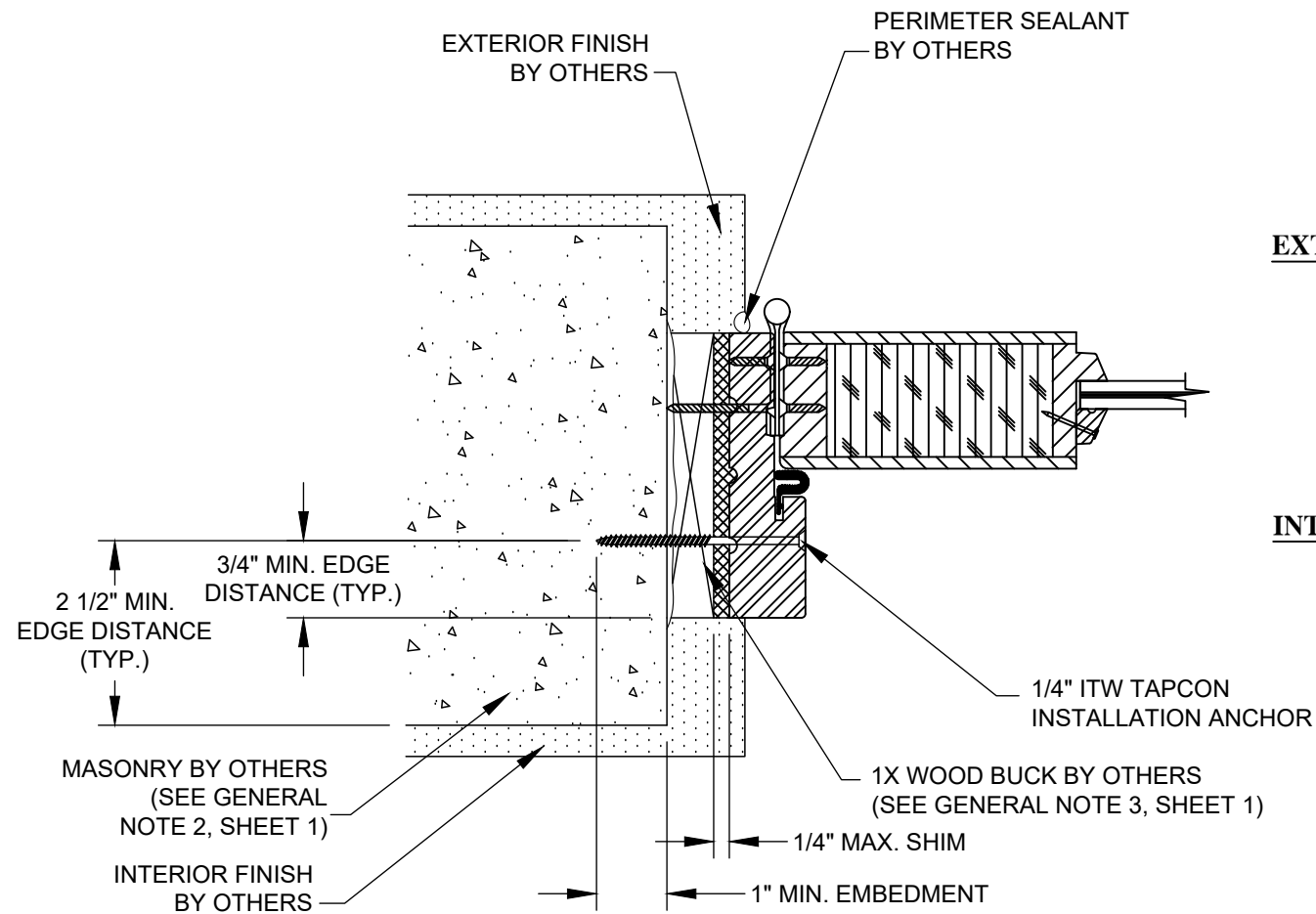
F
8 VERTICAL SECTION
CONCRETE SUBSTRATE
FLAT PANEL OR RAISED PANEL



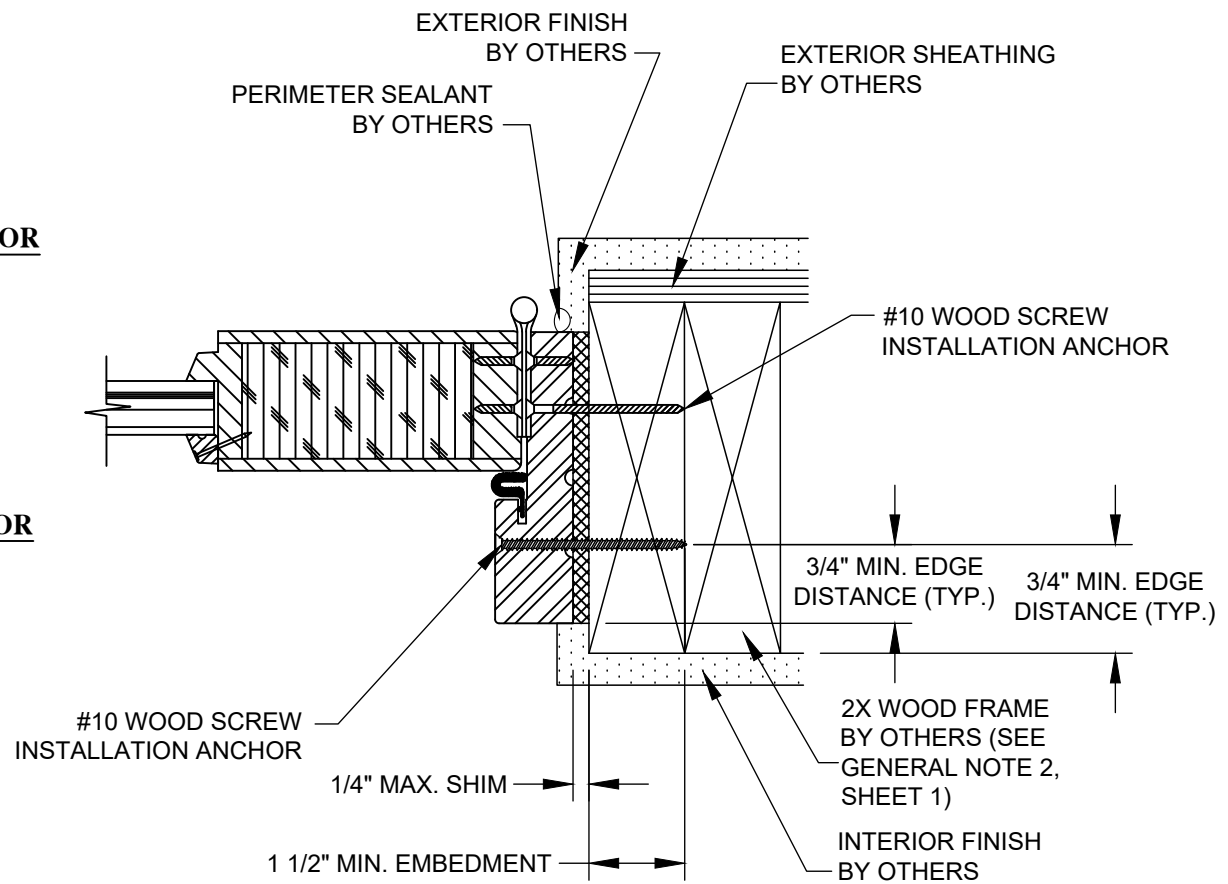
G
8 VERTICAL SECTION
MEETING RAIL GLAZING
AND PANEL INSERTS



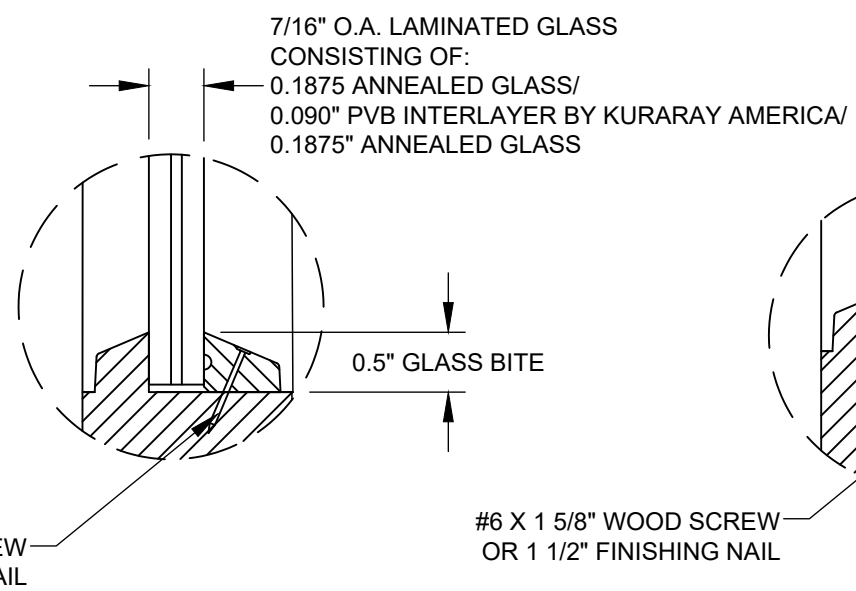
H
8 VERTICAL SECTION
CONCRETE SUBSTRATE
FLAT PANEL OR RAISED PANEL



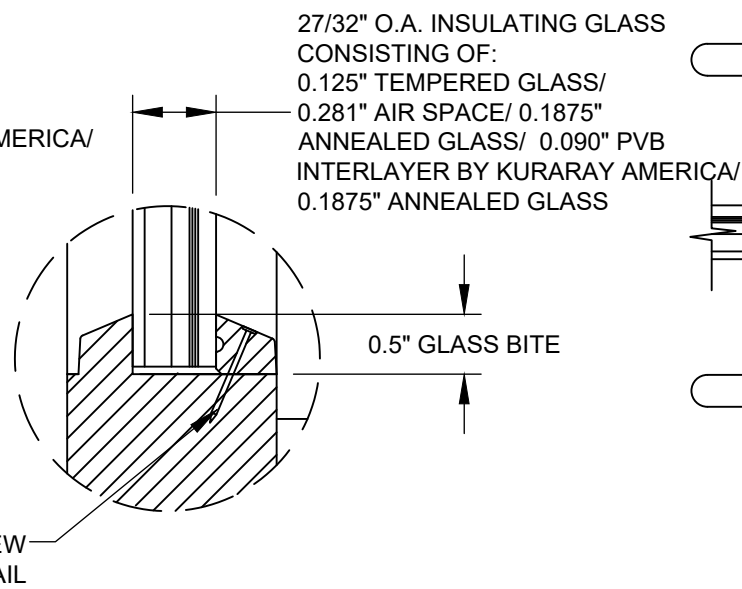
I
9 **HORIZONTAL SECTION**
MASONRY SUBSTRATE
EURO DESIGN JAMB FRAME



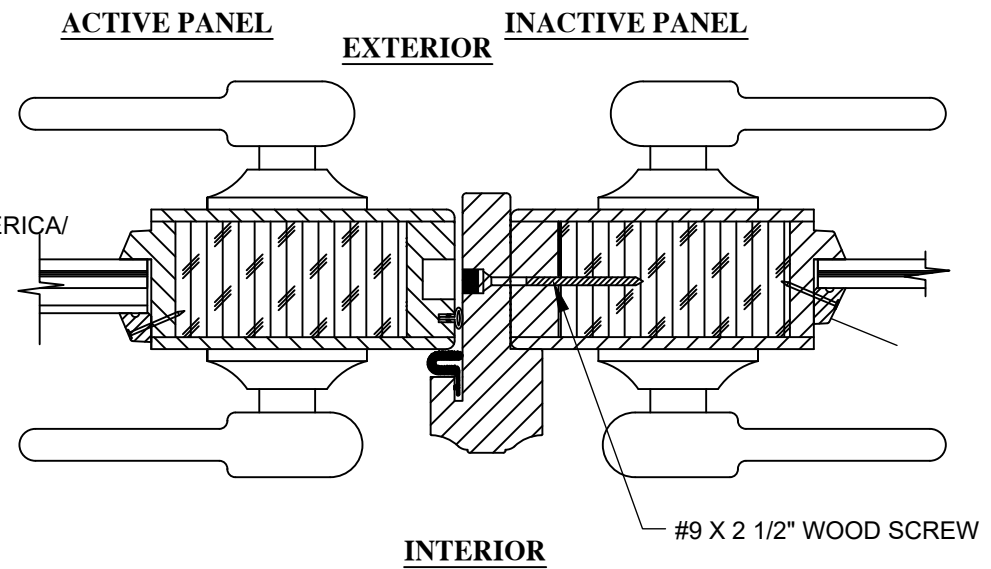
K
9 **HORIZONTAL SECTION**
WOOD FRAME SUBSTRATE
STANDARD DESIGN JAMB FRAME



GLAZING DETAIL 1



GLAZING DETAIL 2



J
9 **HORIZONTAL SECTION**
ASTRAGAL

PROJECT NO. 421-0102

SIMPSON DOOR COMPANY
400 SIMPSON AVE.
MCCLEARY, WA 98557

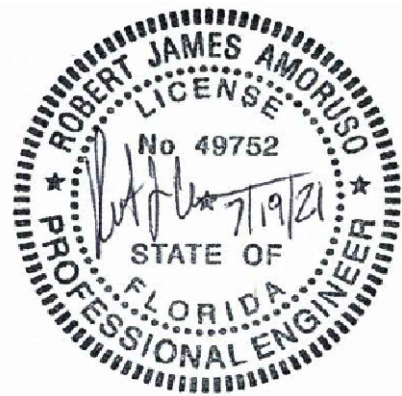
TITLE: IMPACT 10 FT. GLAZED WOOD ENTRY DOOR
HORIZONTAL SECTIONS & GLAZING DETAILS

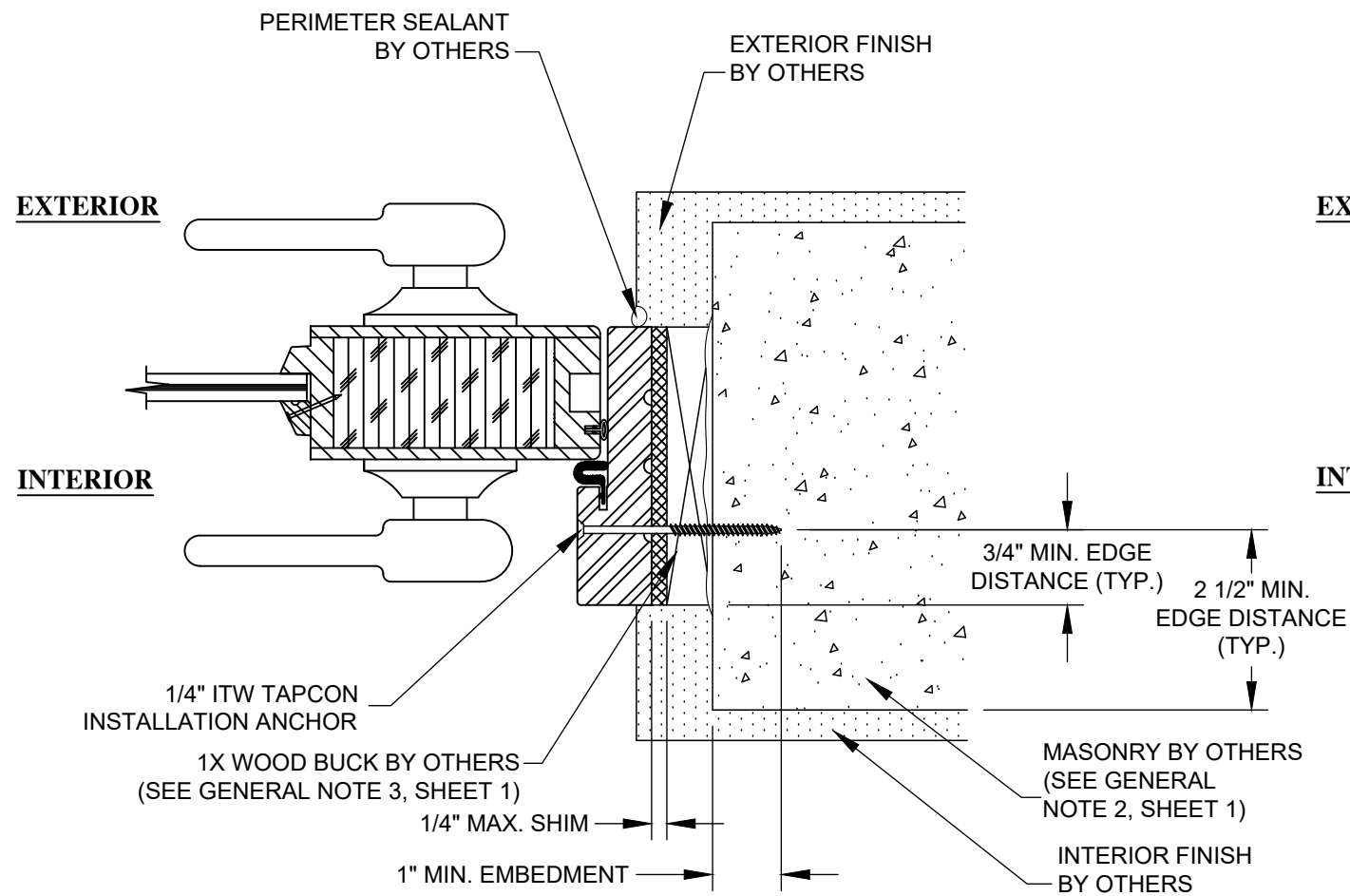
DATE: 6/11/21
DRAWING NO: SIMP0018
SHEET: 9 OF 12

DRAWN BY: RJA
SCALE: N.T.S.
REV: ---



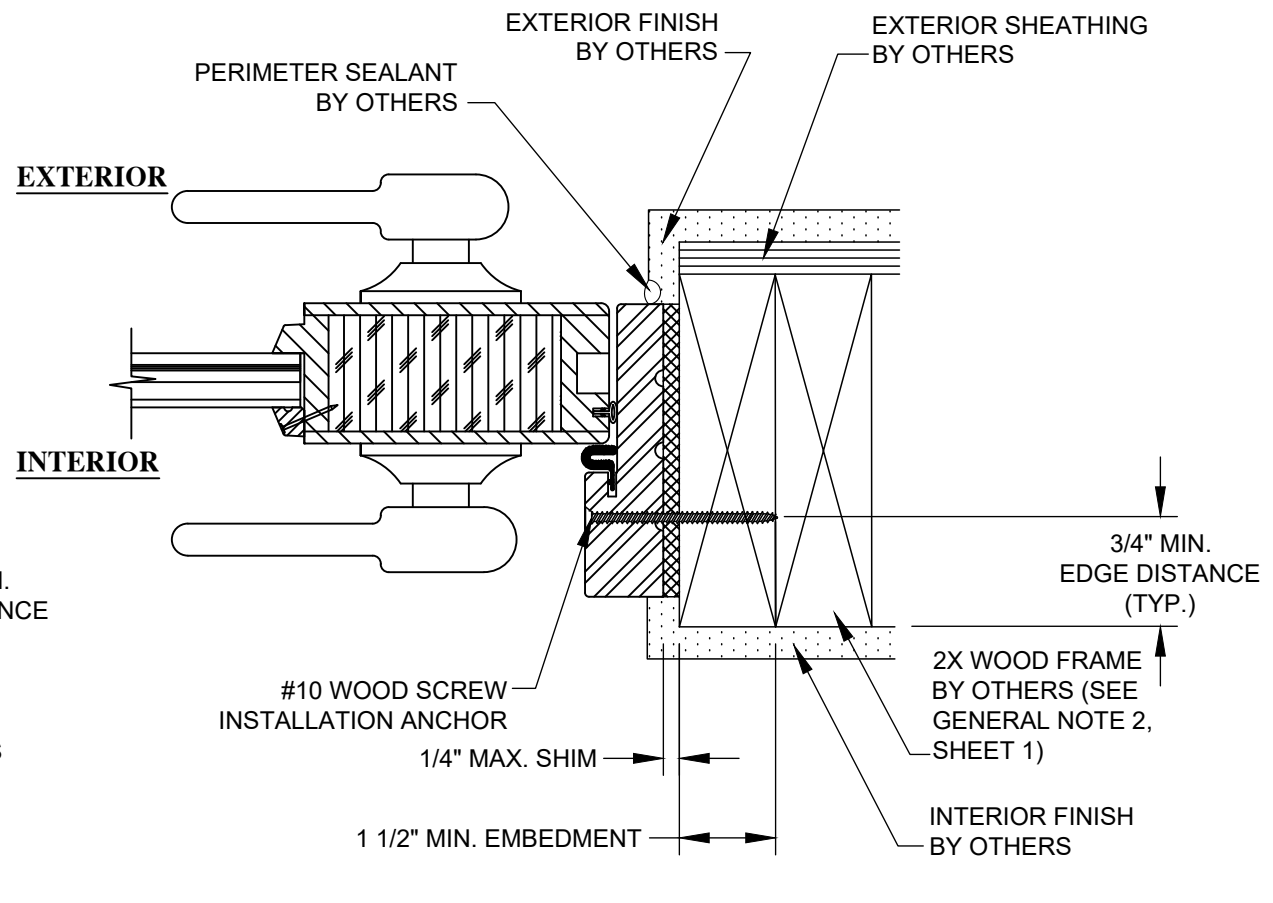
Robert J. Amoruso, P.E.
Florida P.E. No. 49752





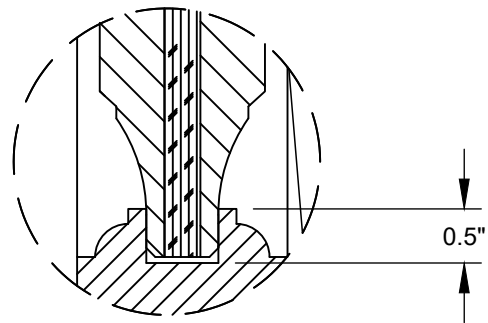
L
10

HORIZONTAL SECTION
MASONRY SUBSTRATE
STANDARD DESIGN JAMB FRAME

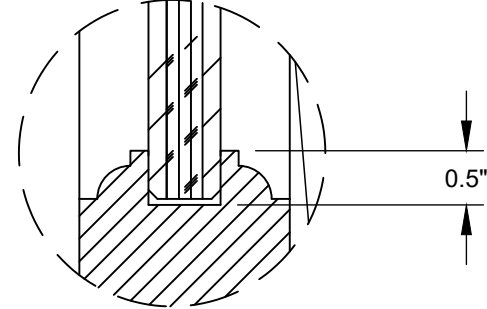


M
10

HORIZONTAL SECTION
WOOD FRAME SUBSTRATE
STANDARD DESIGN JAMB FRAME



DETAIL 3



DETAIL 4

PROJECT NO. 421-0102

REV	DESCRIPTION	DATE	BY

SIMPSON DOOR COMPANY
400 SIMPSON AVE.
MCCLEARY, WA 98557

TITLE: IMPACT 10 FT. GLAZED WOOD ENTRY DOOR HORIZONTAL SECTIONS & PANEL DETAILS

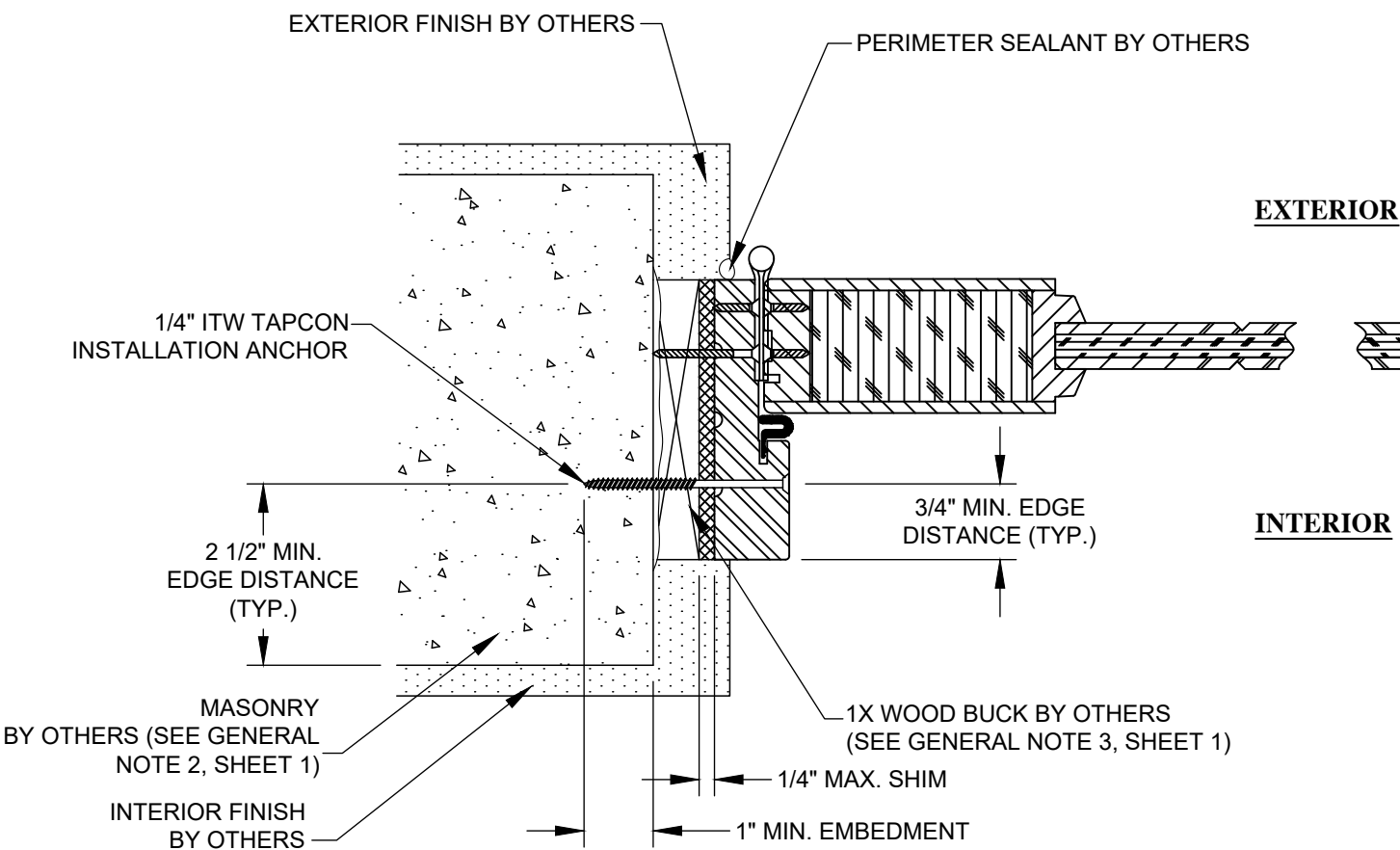
DATE:	6/11/21
DRAWING NO.:	SIMP0018
SHEET:	10 OF 12
DRAWN BY:	RJA
SCALE:	N.T.S.
REV:	---

PREPARED BY: **PC**

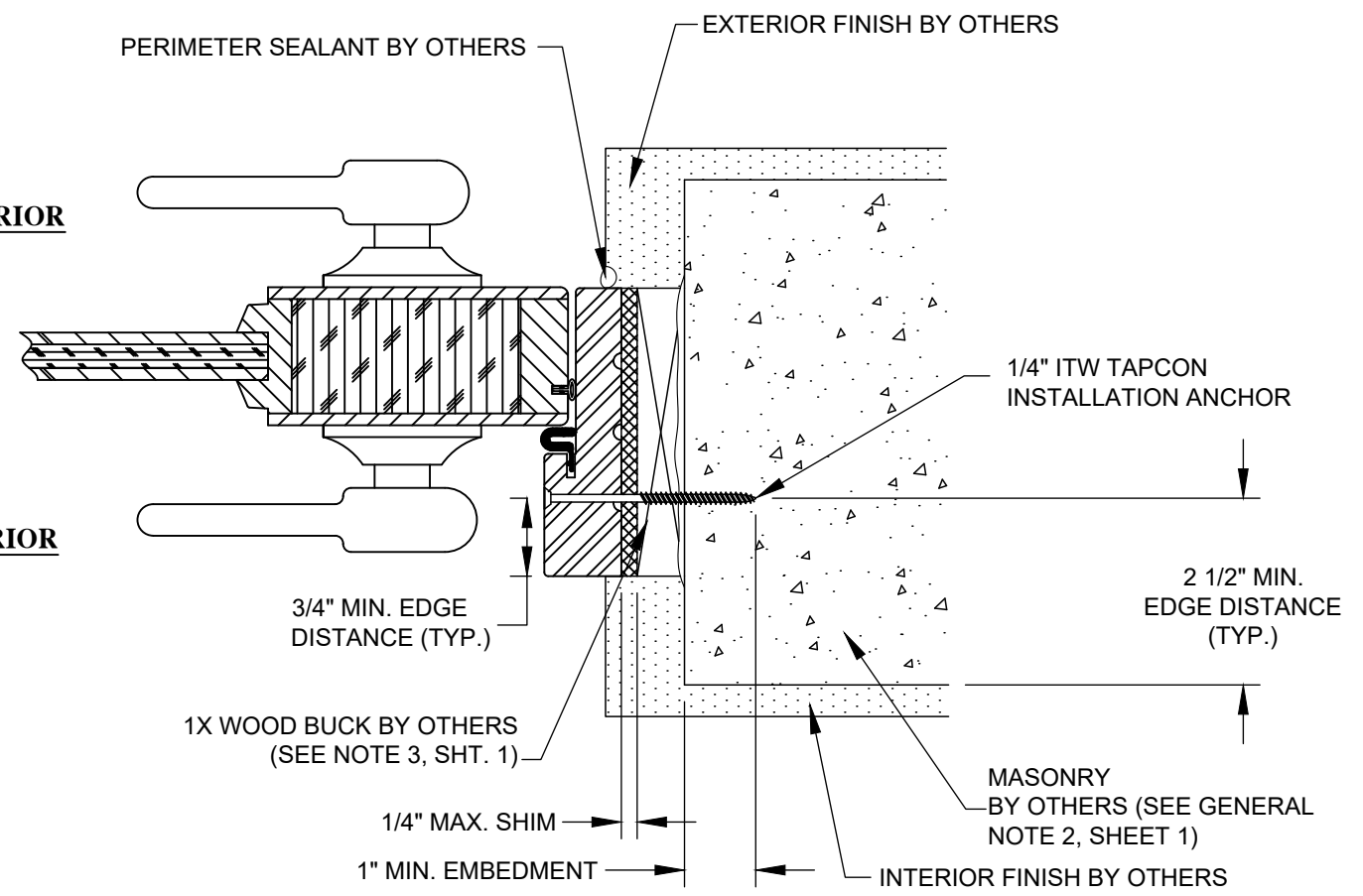
PTC Product Design Group, LLC
PO Box 320775
Lynchburg, VA 24507-0775
Phone: 321.690.1788
Fax: 321.690.1789
Email: info@ptc-corp.com
FBPE C.A. NO. 25595

Robert J. Amoruso, P.E.
Florida P.E. No. 49752

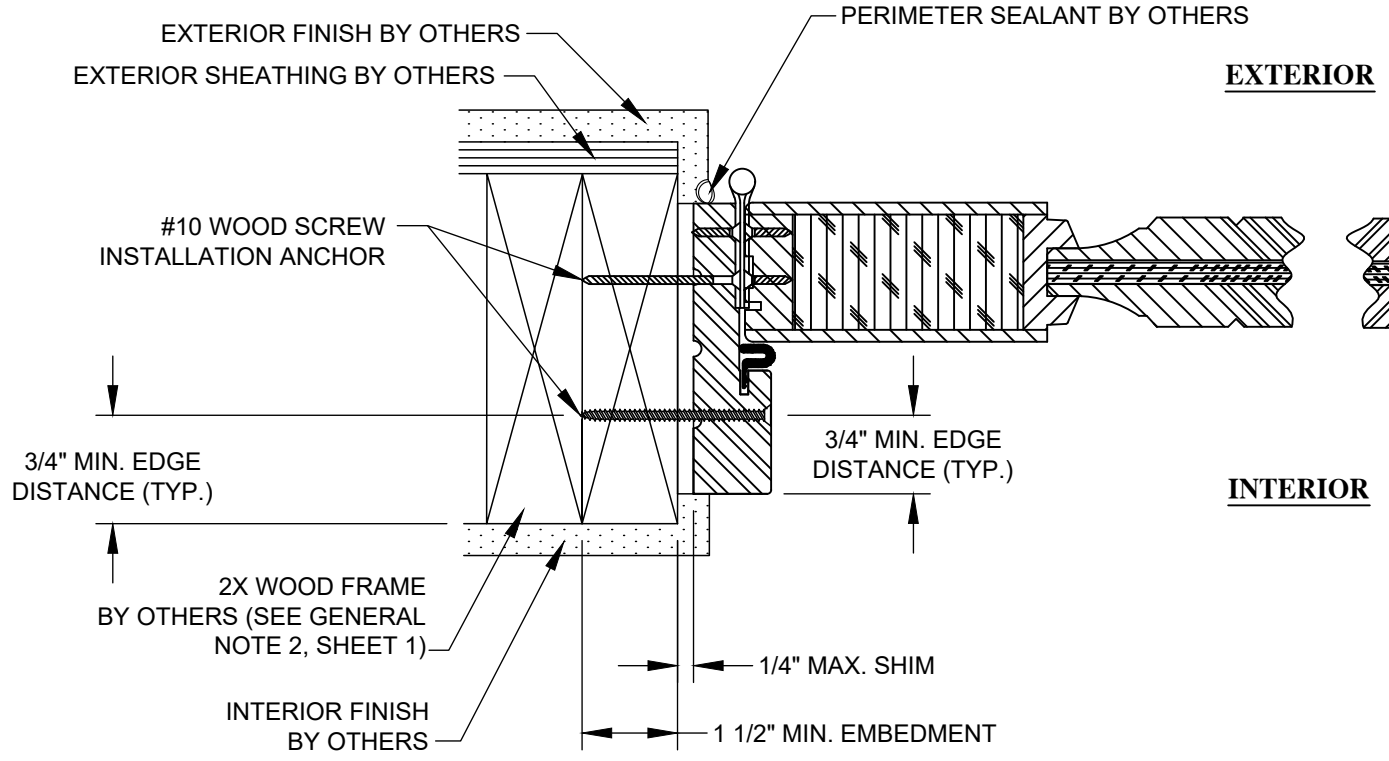




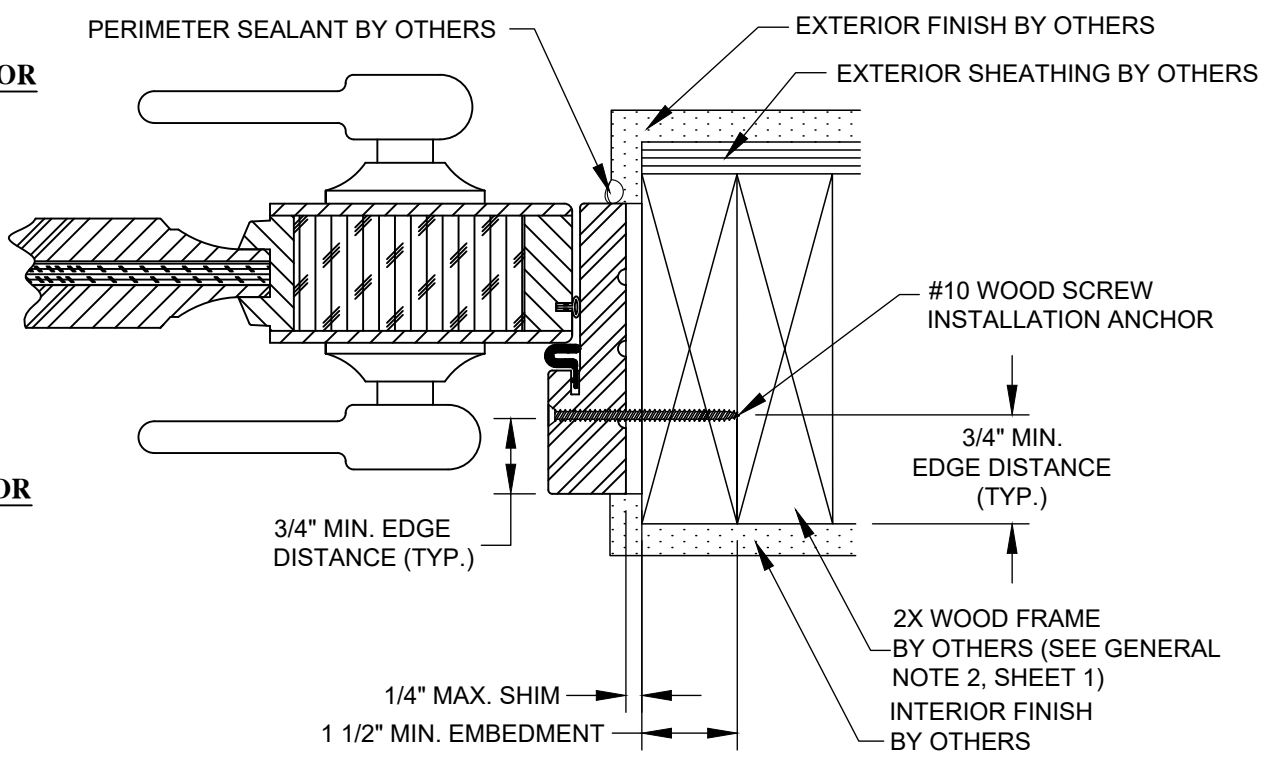
N
11
HORIZONTAL SECTION
MASONRY SUBSTRATE
STANDARD DESIGN JAMB FRAME



O
11
HORIZONTAL SECTION
MASONRY SUBSTRATE
STANDARD DESIGN JAMB FRAME



P
11
HORIZONTAL SECTION
WOOD FRAME SUBSTRATE
STANDARD DESIGN JAMB FRAME



Q
11
HORIZONTAL SECTION
WOOD FRAME SUBSTRATE
STANDARD DESIGN JAMB FRAME

PROJECT NO. 421-0102					

SIMPSON DOOR COMPANY
400 SIMPSON AVE.
MCCLEARY, WA 98557

TITLE: IMPACT 10 FT. GLAZED WOOD ENTRY DOOR
HORIZONTAL SECTIONS

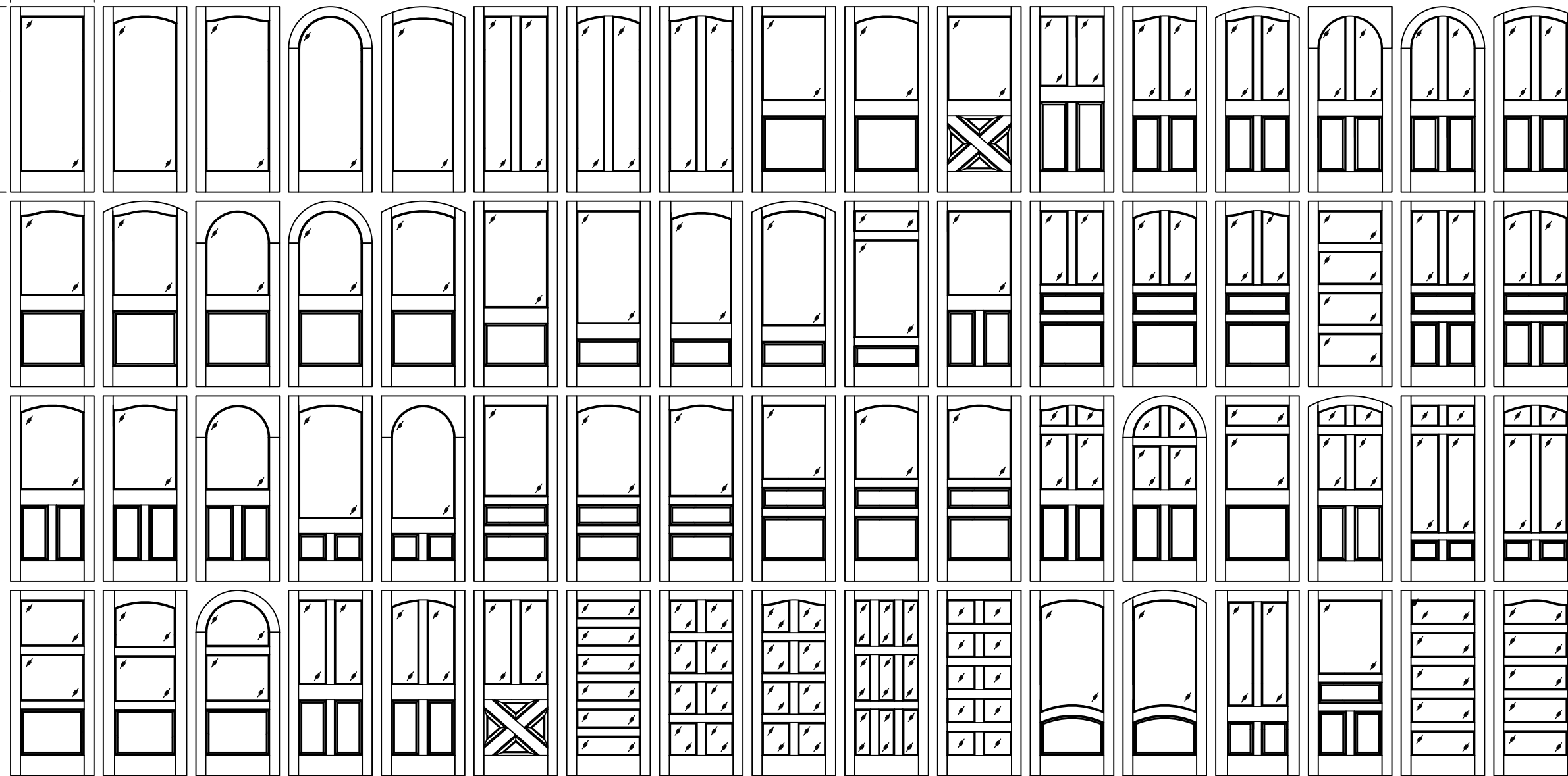
PREPARED BY: RJA
SCALE: N.T.S.
DATE: 6/11/21
DRAWING NO: SIMP0018
SHEET: 11 OF 12

Phone: 321.690.1788
Fax: 321.690.1789
Lehigh, PA 18207-9775
Email: info@gdc-corp.com
FBPE GA. NO. 25595

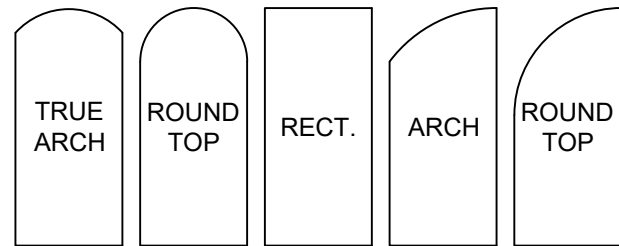
Robert J. Amoruso, P.E.
Florida P.E. No. 49752

* ALL ELEVATIONS SHOWN ALSO QUALIFY 96", 84", AND 80" HEIGHTS AND ANY OTHER CUSTOM SIZES SMALLER THAN TESTED.

48" MAX. WIDTH
120" MAX. HEIGHT

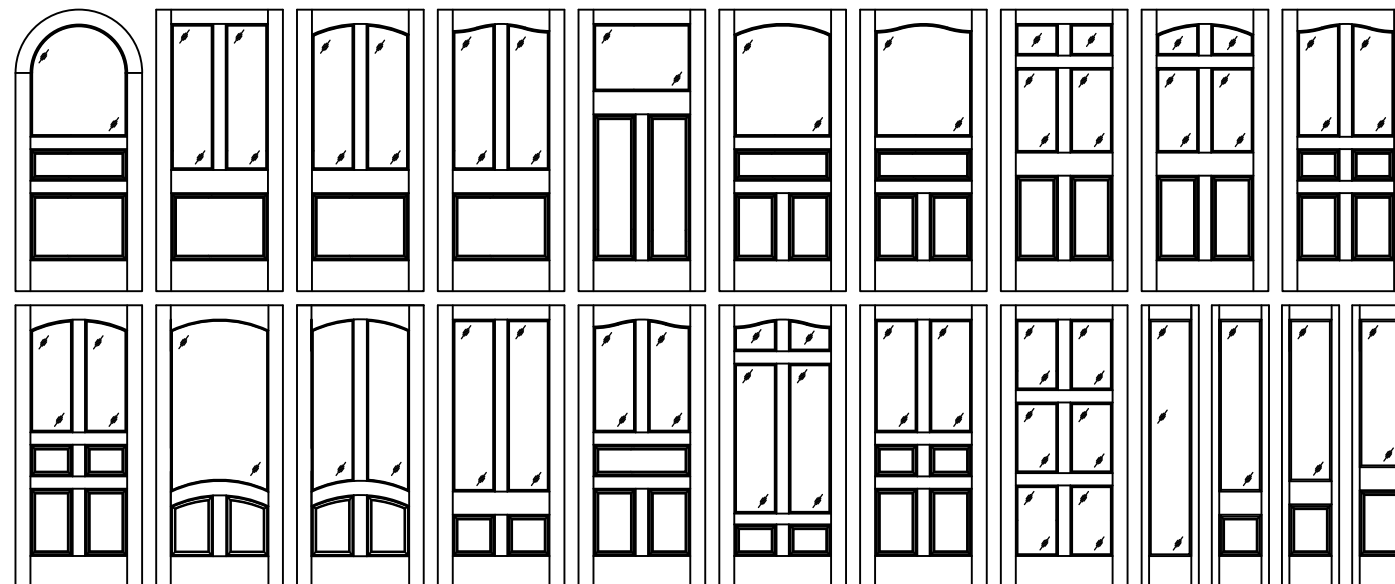


NOTE: DOOR PANELS MAY BE RECTANGULAR, ARCH, OR ROUND TOP.



APPLICABLE GLAZED PANEL DOORS

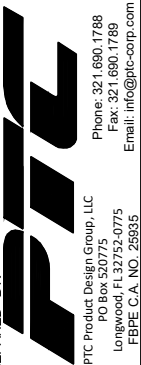
NOTE:
APPLIED MUNTINS USED FOR DIVIDED LITES.
V-GROOVES OPTIONAL FOR BOTH FLAT AND RAISED PANELS.



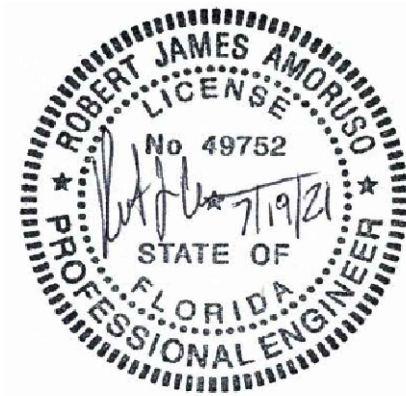
SIMPSON DOOR COMPANY
400 SIMPSON AVE.
MCCLEARY, WA 98557

TITLE: IMPACT 10 FT. GLAZED WOOD ENTRY DOOR CONFIGURATIONS

PREPARED BY: RJA
DRAWN BY: RJA
SCALE: N.T.S.
DATE: 6/11/21
DRAWING NO: SIMP0018
SHEET: 12 OF 12



Robert J. Amoruso, P.E.
Florida P.E. No. 49752



PROJECT NO. 421-0102

REV	DESCRIPTION	DATE	BY